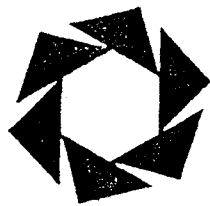
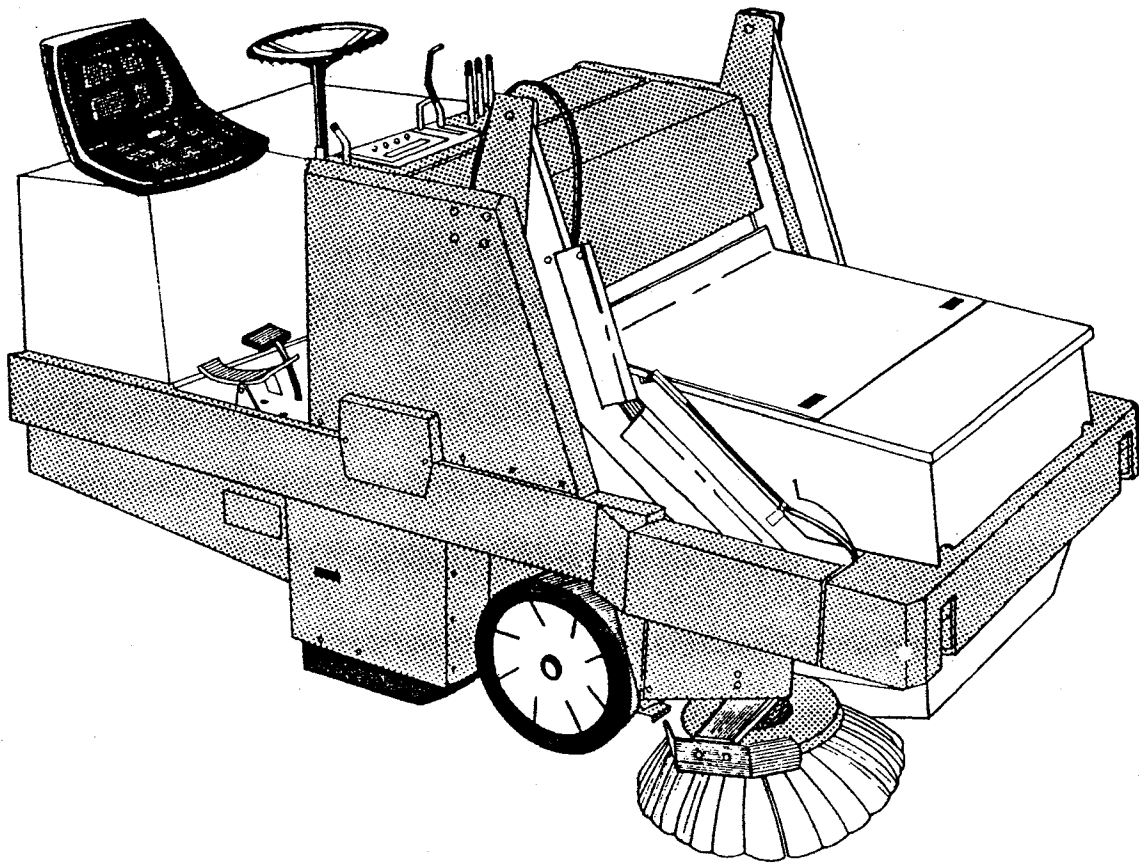
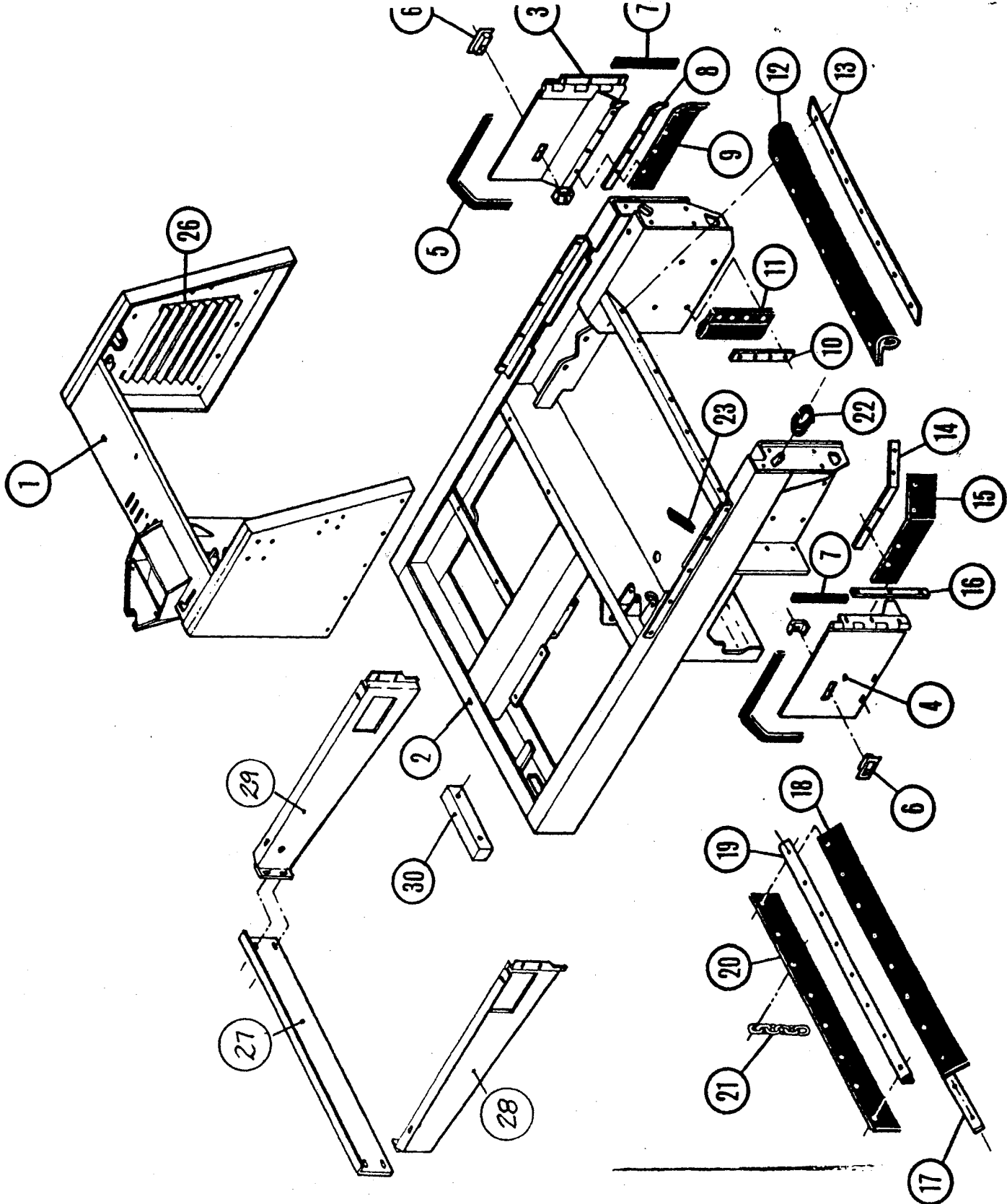


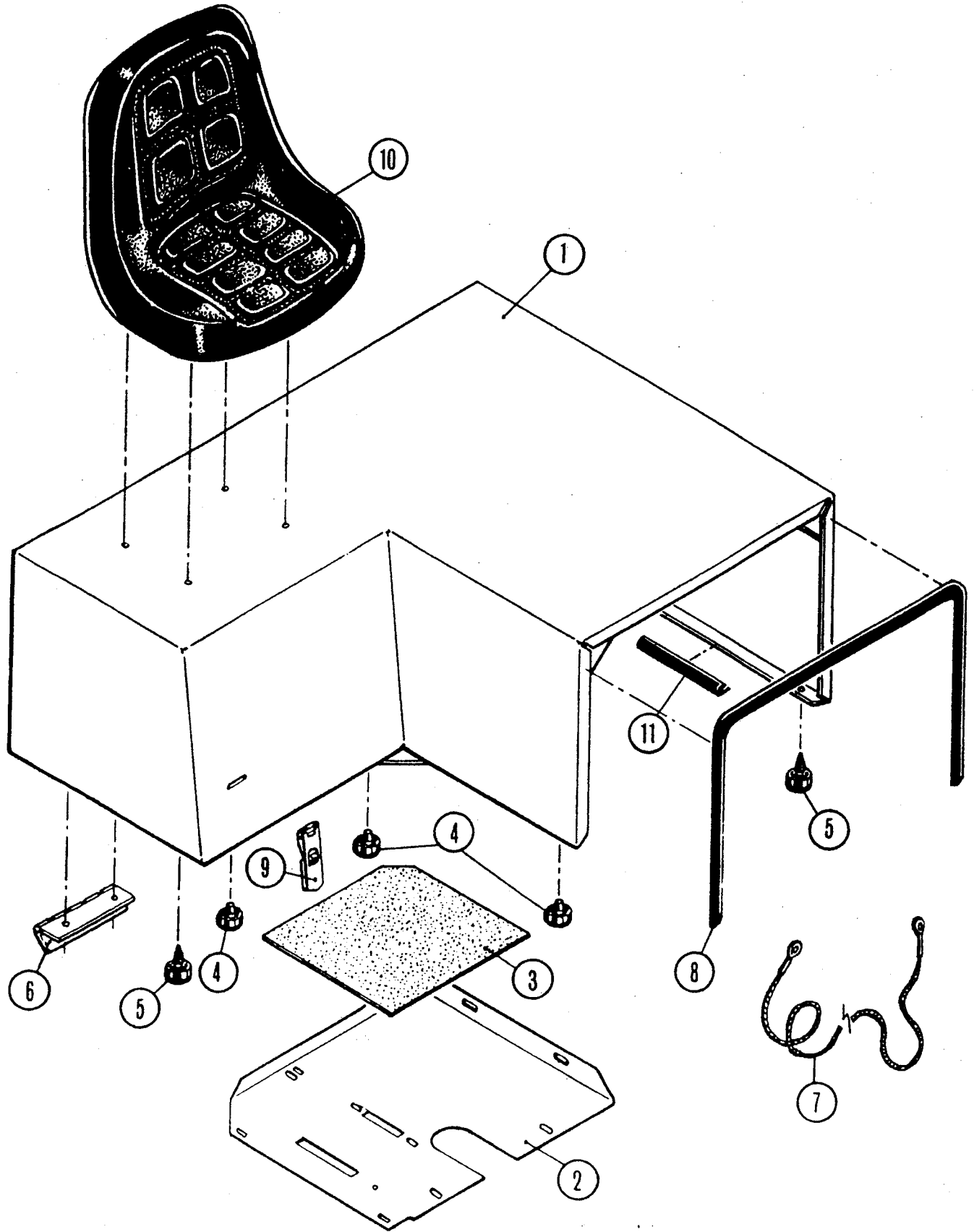
PowerBoss® SW/71

PARTS MANUAL



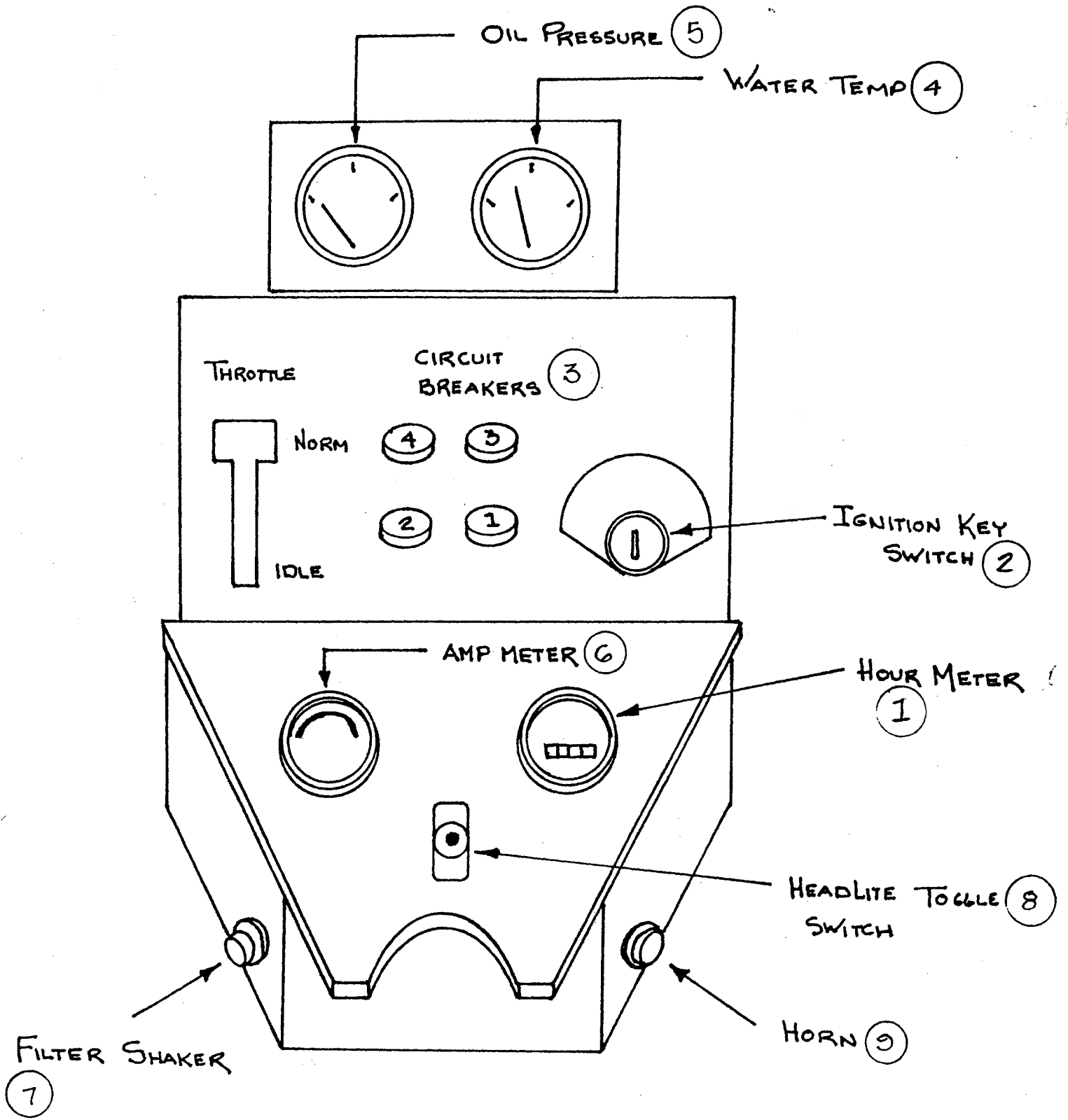
AAR Brooks & Perkins

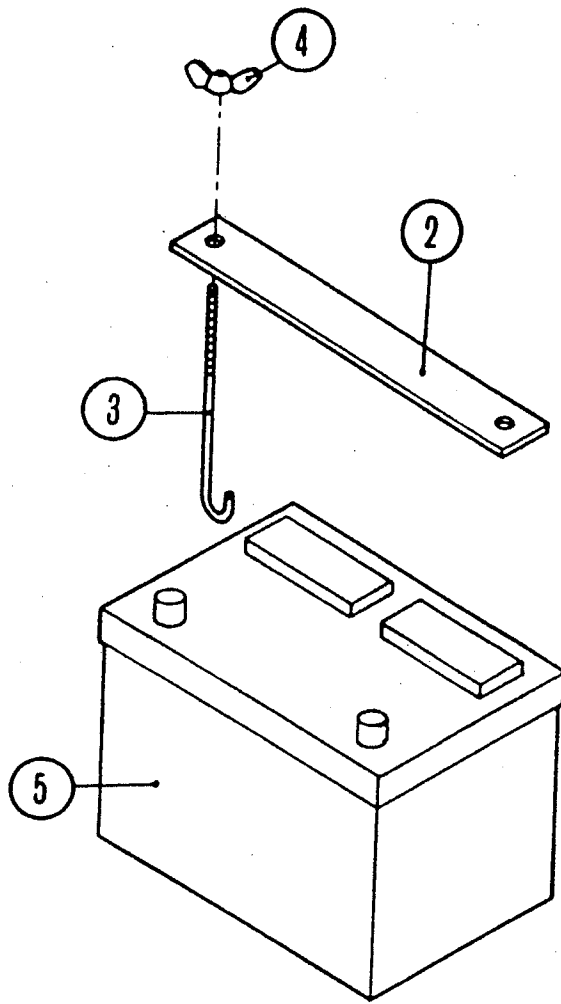


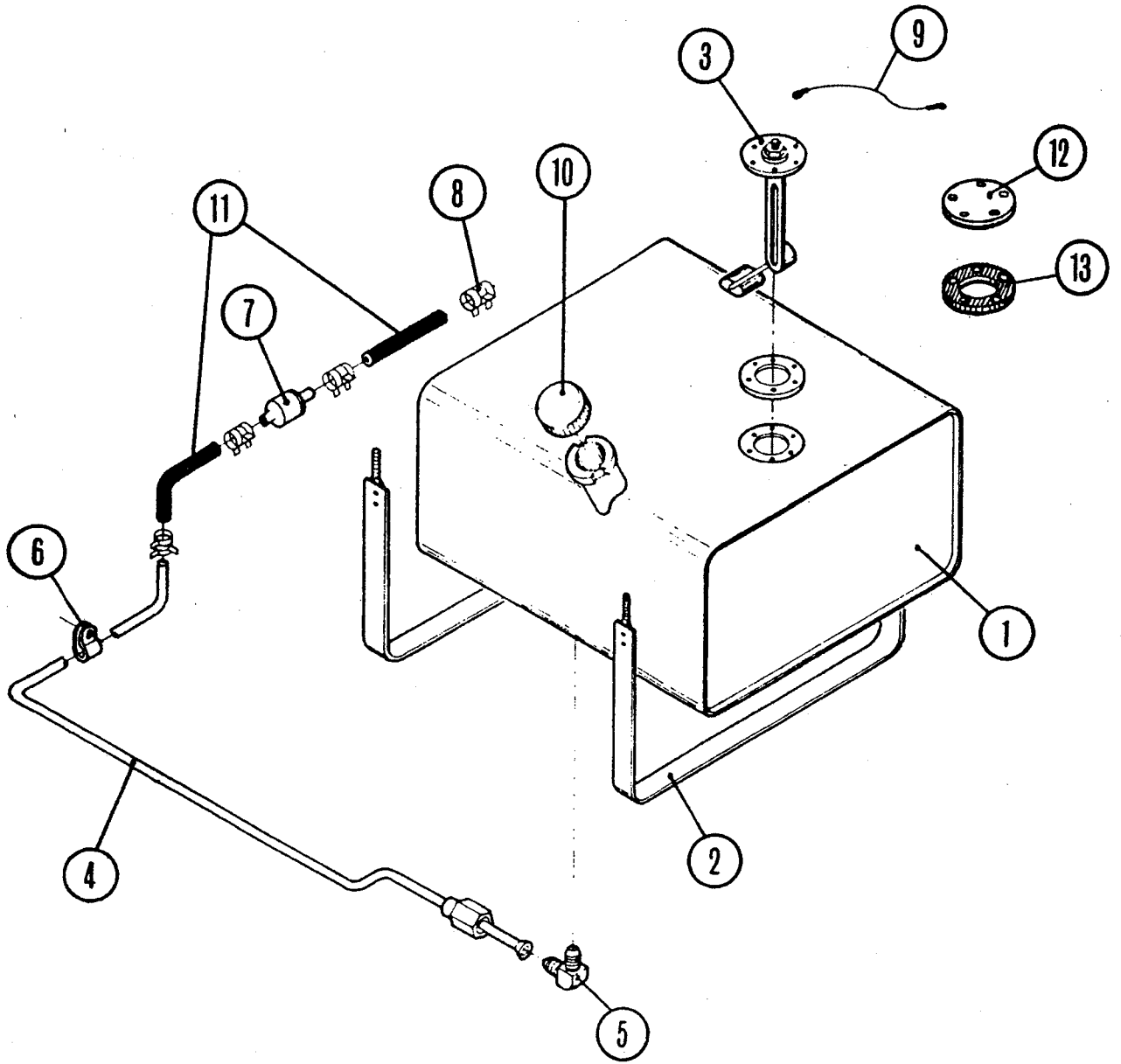


REAR CLIP

ITEM NUMBER	PART NUMBER	DESCRIPTION
1	304018	Assembly - Rear Clip
2	304028	Plate - Floor Pan
3	304042	Floor Mat
4	304038	Bumper - Rubber Short
5	304037	Bumper - Rubber Long
6	304030	Hinge - Rear Clip
7	304032	Cable - Rear Clip
8	304189	Gasket - Rear Clip
9	304156	Latch - Rear Clip
10	300487	Seat - Suburban
11	304207	Edging - Rear Clip Lt. Side

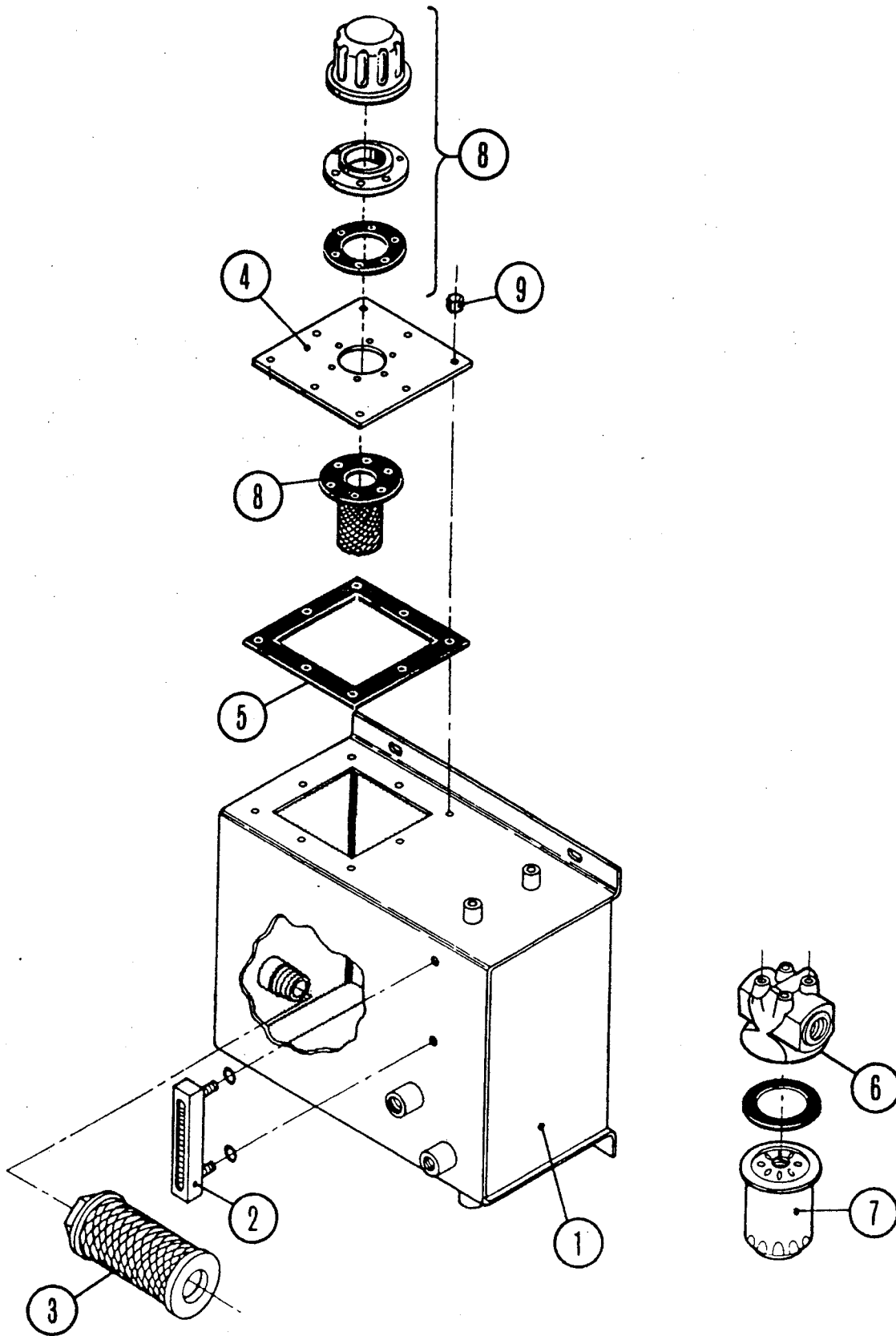






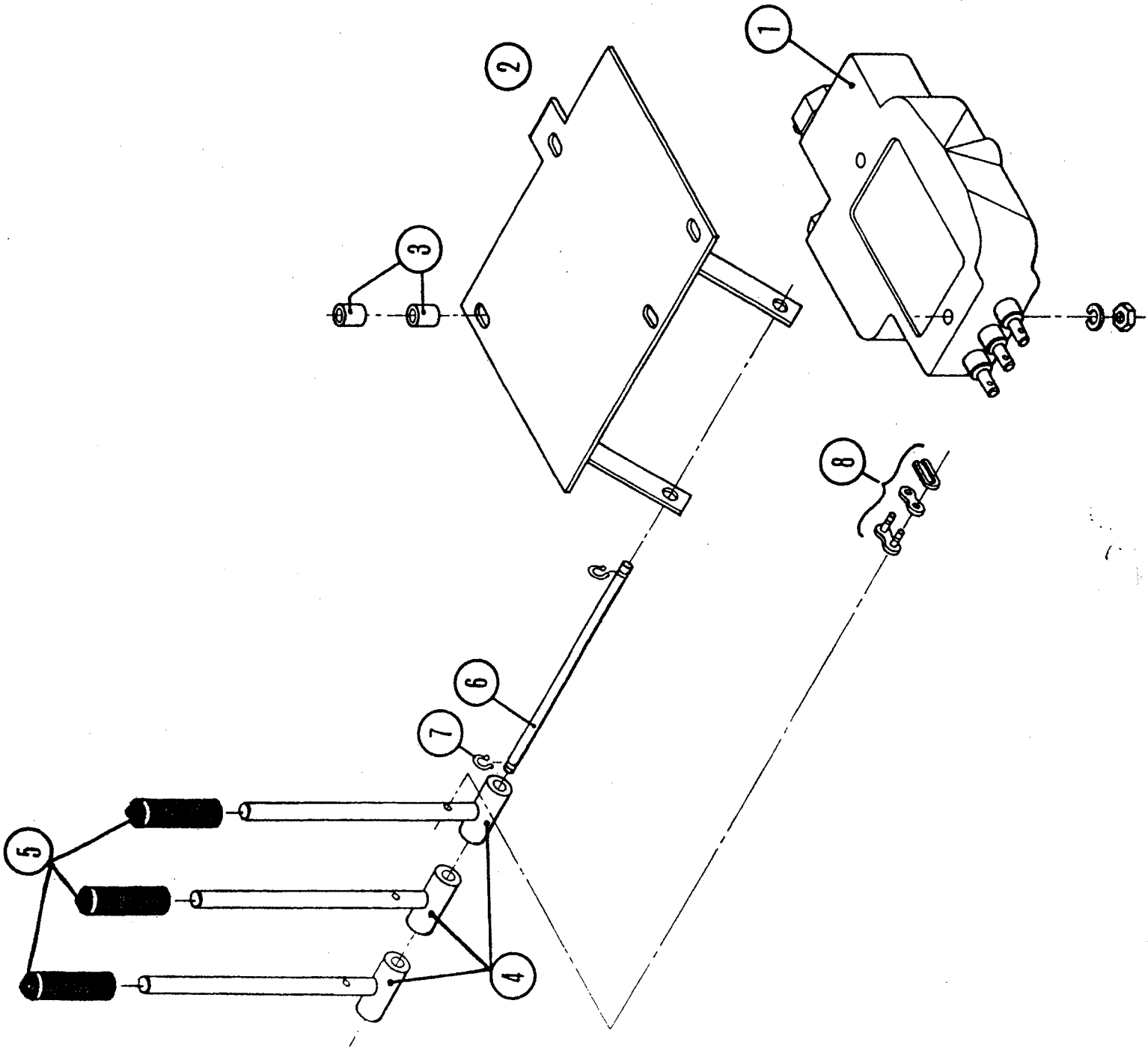
FUEL SYSTEM

ITEM NUMBER	PART NUMBER	DESCRIPTION
1	301023	Assembly - Tank Fuel
2	300757	Assembly Strap Fuel Tank
3	300388	Assembly - Fuel Sender (Field Installed Only)
4	301561	Assembly - Fuel Line
5	400183	Fitting - Gasoline
6	301558	Clamp - Fuel Line
7	300417	Fitter - Fuel
8	302338	Clamp
9	301363	Wire - Ground (Field Installed Only)
10	300393	Cap - Gas Tank
11	302085	Hose (SP)
12	304178	Plate - Fuel Sender
13	304031	Gasket - Fuel Sender



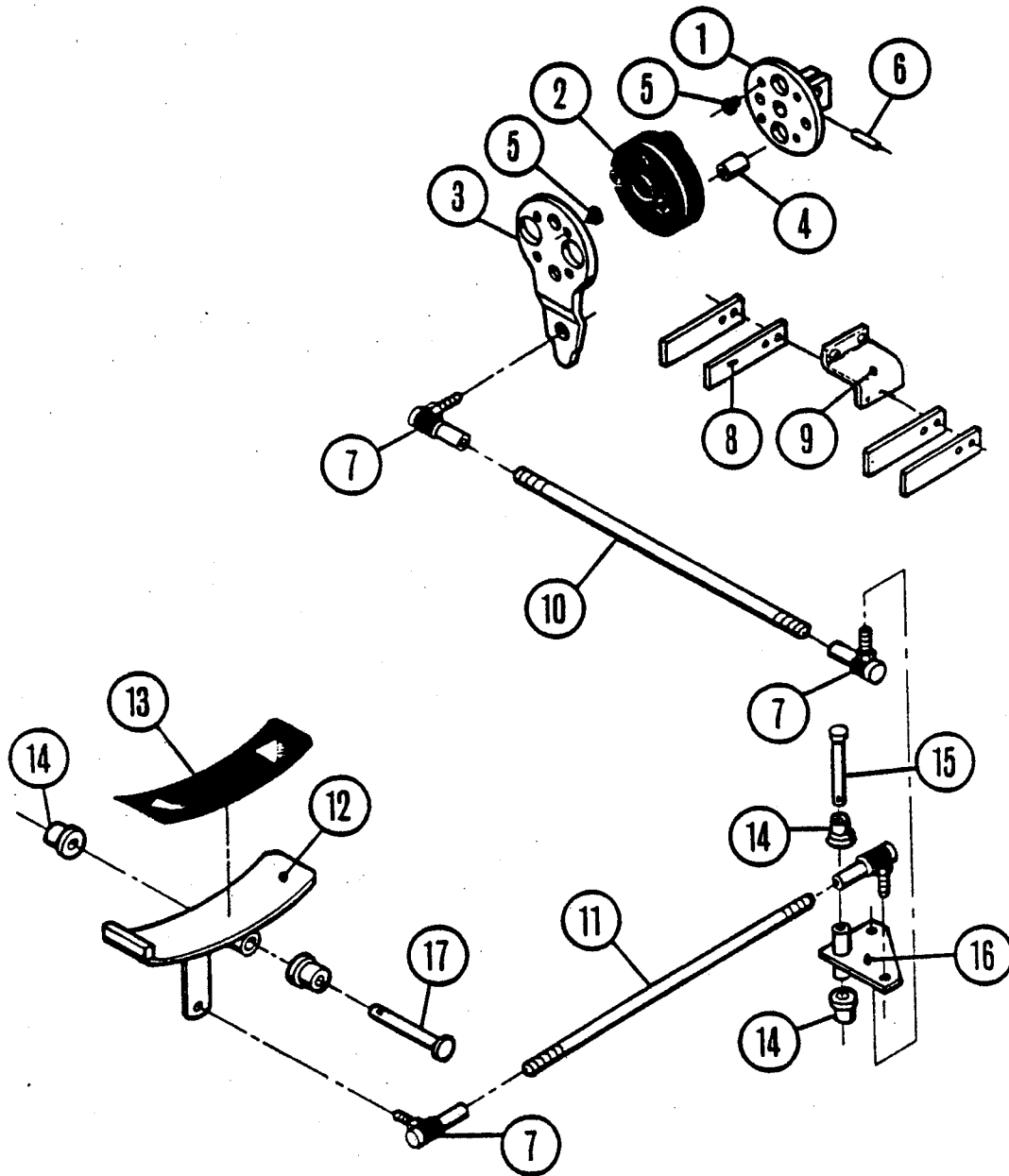
HYDRAULIC RESERVOIR

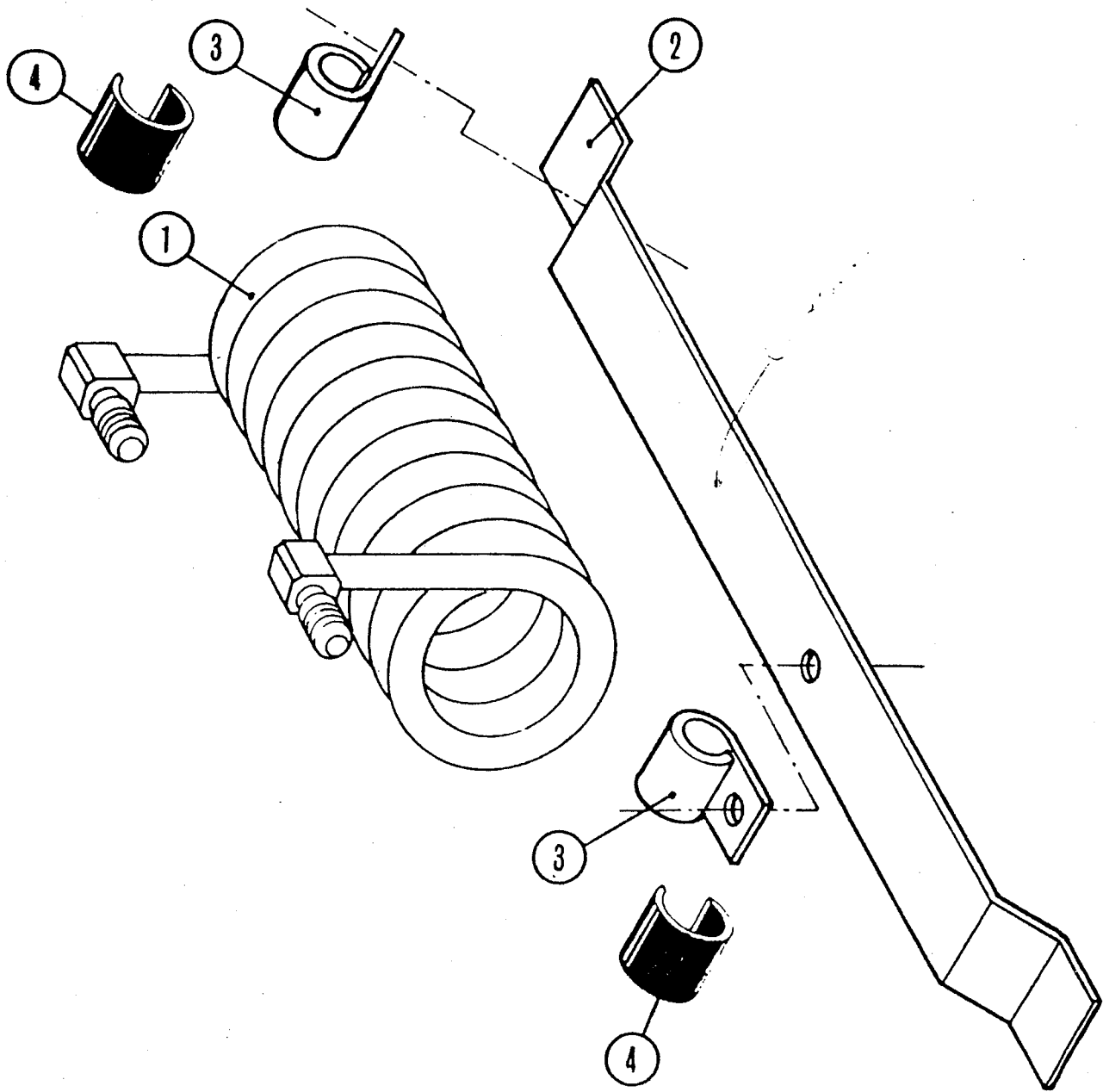
ITEM NUMBER	PART NUMBER	DESCRIPTION
1	300001	Assembly - Reservoir Hydraulic
2	300366	Gage - Level Hydraulic Reservoir
3	300360	Strainer - Hydraulic Reservoir
4	302372	Cover - Reservoir
5	300007	Gasket - Hydraulic Reservoir
6	304174	Assembly - Hydraulic Filter
7	304208	Filter Hydraulic
8	303310	Assembly - Filter/Breather
9	302249	Spacer - Nylon



HYDRAULIC VALVE

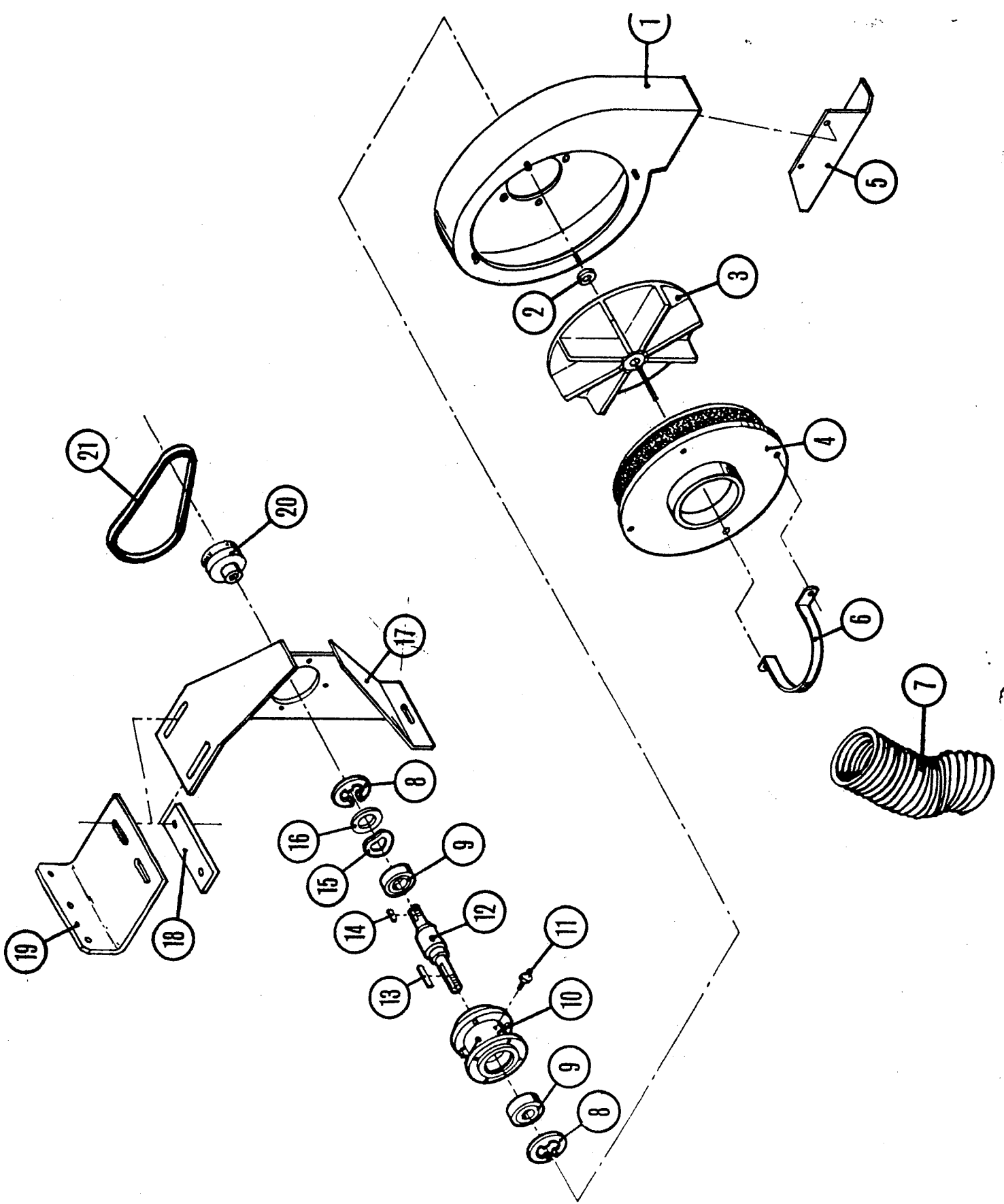
ITEM NUMBER	PART NUMBER	DESCRIPTION
1	300357	Assembly - Hydraulic Valve
2	300743	Assembly - Mount Valve
3	300883	Spacer - Control Valve
4	304060	Assembly - Lever
5	304088	Cover
6	300884	Rod - Pivot Control Valve
7	300548	Retainer Ring
8	300547	Assembly - Connecting Link





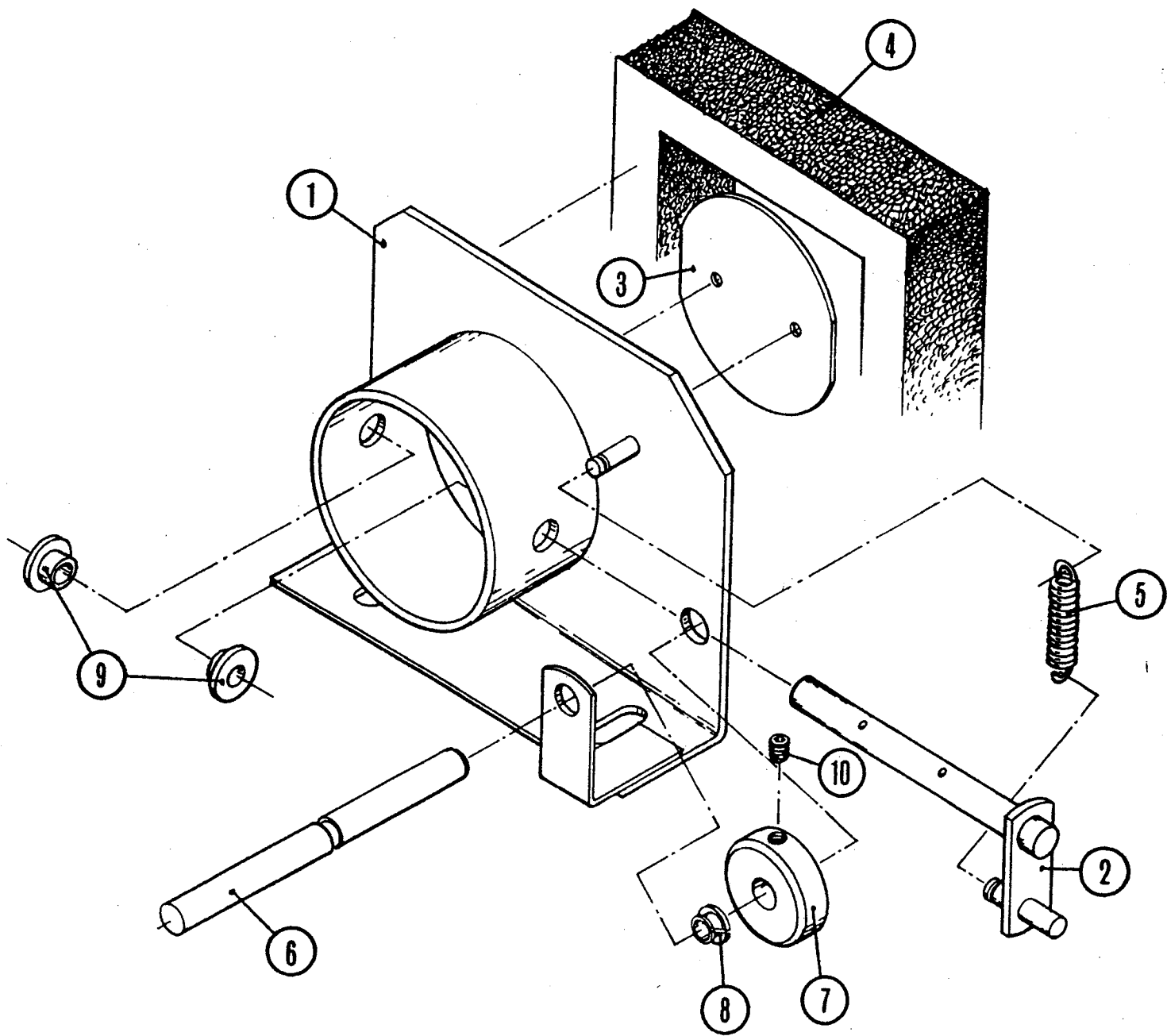
COOLING COIL

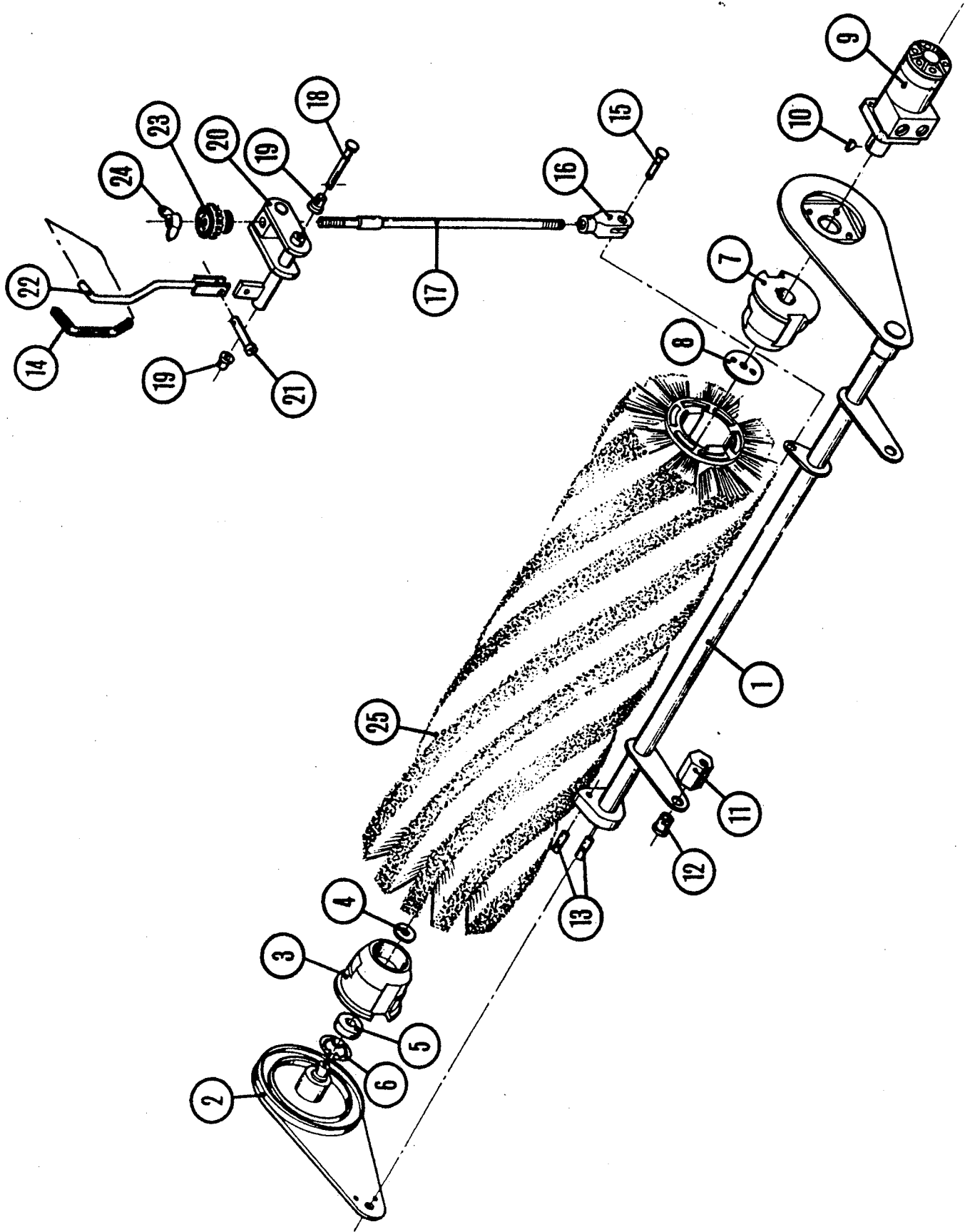
ITEM NUMBER	PART NUMBER	DESCRIPTION
1	300541	Coil Cooling
2	304076	Mount Cooling Coil
3	301158	Clamp - Cable 3/4
4	301597	Retainer - Rubber



IMPELLER

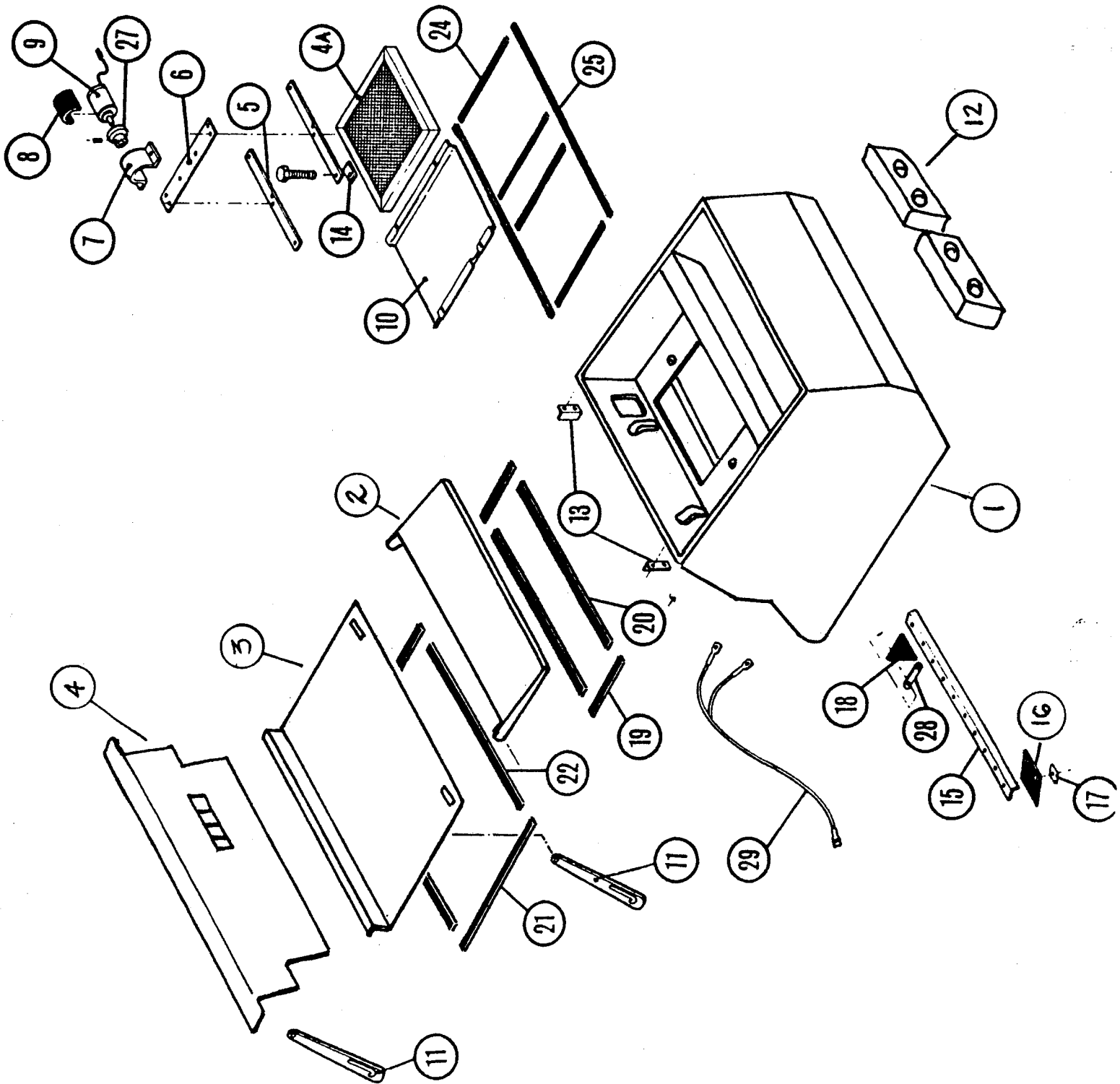
ITEM NUMBER	PART NUMBER	DESCRIPTION
1	304034	Shroud - Impeller
2	304185	Spacer - Impeller In Board
3	304002	Impeller
4	304142	Assembly - Impeller Hose
5	304126	Deflector - Impeller
6	304140	Retainer - Impeller Hose
7	304155	Hose - Impeller
8	300474	Ring - Retainer Interior
9	300468	Bearing - Ball
10	300186	Housing - Bearing Impeller
11	400012	Fitting - Grease 3/16
12	300185	Shaft - Impeller
13	304186	Key 1/8 Square x .62
14	300344	Key 1/8 Square x .75
15	300476	Washer - Wave
16	301330	Spacer - Flat Impeller
17	304121	Assembly - Impeller Mount
18	304075	Bar Adjustment Impeller
19	304125	Bracket - Impeller Mount
20	304072	Pulley - Impeller
21	304087	Belt - Impeller Drive

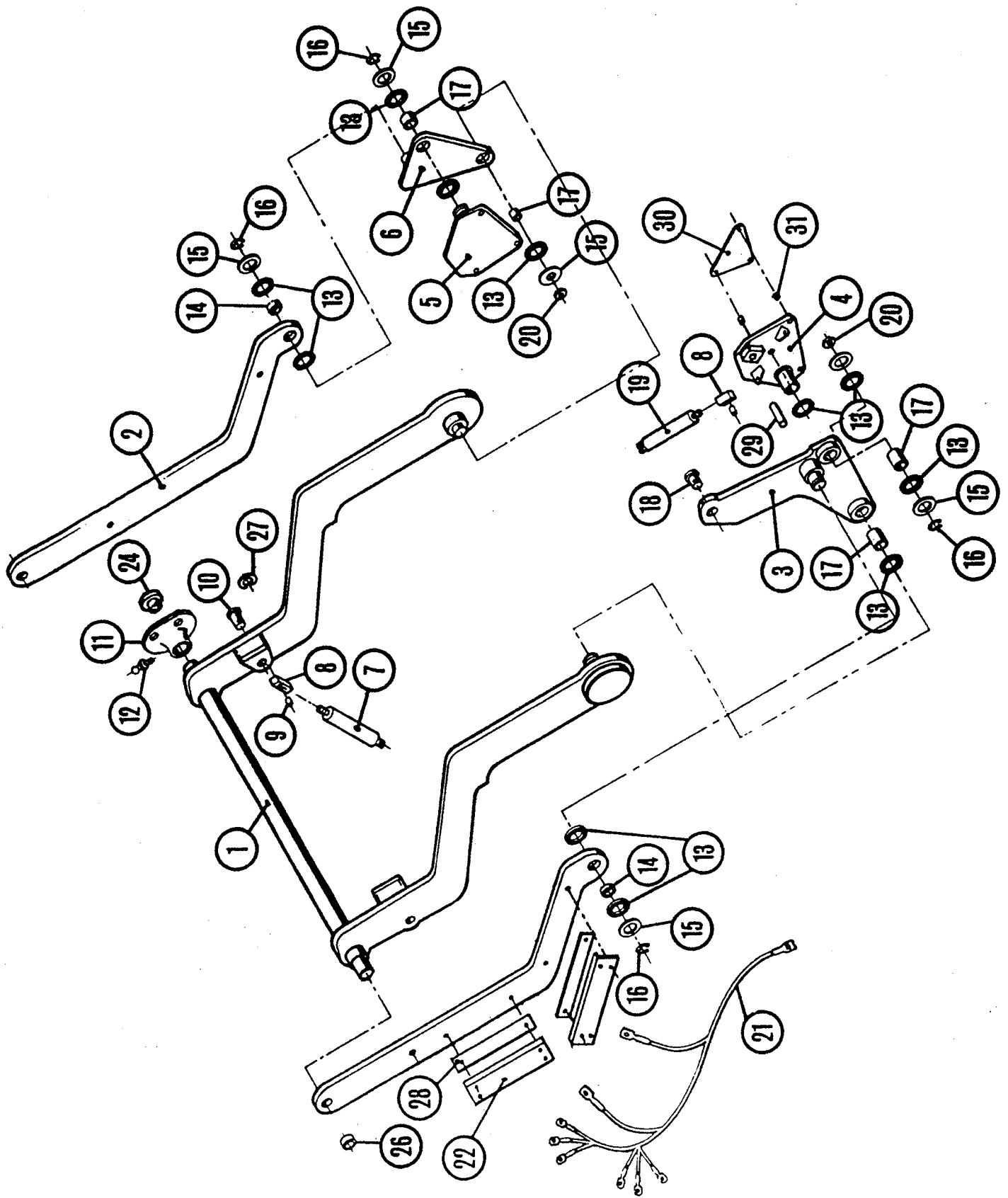




MAIN BROOM

ITEM NUMBER	PART NUMBER	DESCRIPTION
1	300006	Assembly - Mount Main Broom
2	300005	Assembly - Arm Broom Idler
3	301051	Hub - Broom Idler
4	400091	Washer Fender 1/2
5	300469	Bearing Ball #205 PP
6	300475	Ring - Retainer Internal 2.06
7	301050	Hub - Main Broom Drive
8	301285	Retainer - Drive Hub
9	301442	Motor - Hydraulic
10	302082	Key - Hydraulic Motor
11	300064	Block Adjustment Main Broom
12	300432	Bushing - Bronze Flanged
13	300021	Pin - Dowel .38 Dia x 1.25
14	304089	Cover - Handle Long
15	400117	Pin - Clevis 3/8 x 1.12
16	301447	Clevis - Main Broom & Brake
17	300858	Rod - Main Broom Lift
18	400113	Pin - Clevis 3/8 x 6.12
19	300414	Bushing - Plastic Main Broom
20	300088	Assembly - Arm Broom Lift
21	400117	Pin - Clevis 3/8 x 1.12
22	304062	Assembly - Lever Main Broom Lift
23	300352	Knob - Main Broom Lift Adjustment
24	400084	Wing Nut
25		Main Broom Options
	300314	Nylon
	300312	Proex
	300302	Proex & Wire
	300324	Union Fiber & Wire
	300326	Wire
	300316	Patrol Brush
	300320	Hi-Density Union Fiber & Wire
	300304	Hi-Density Nylon

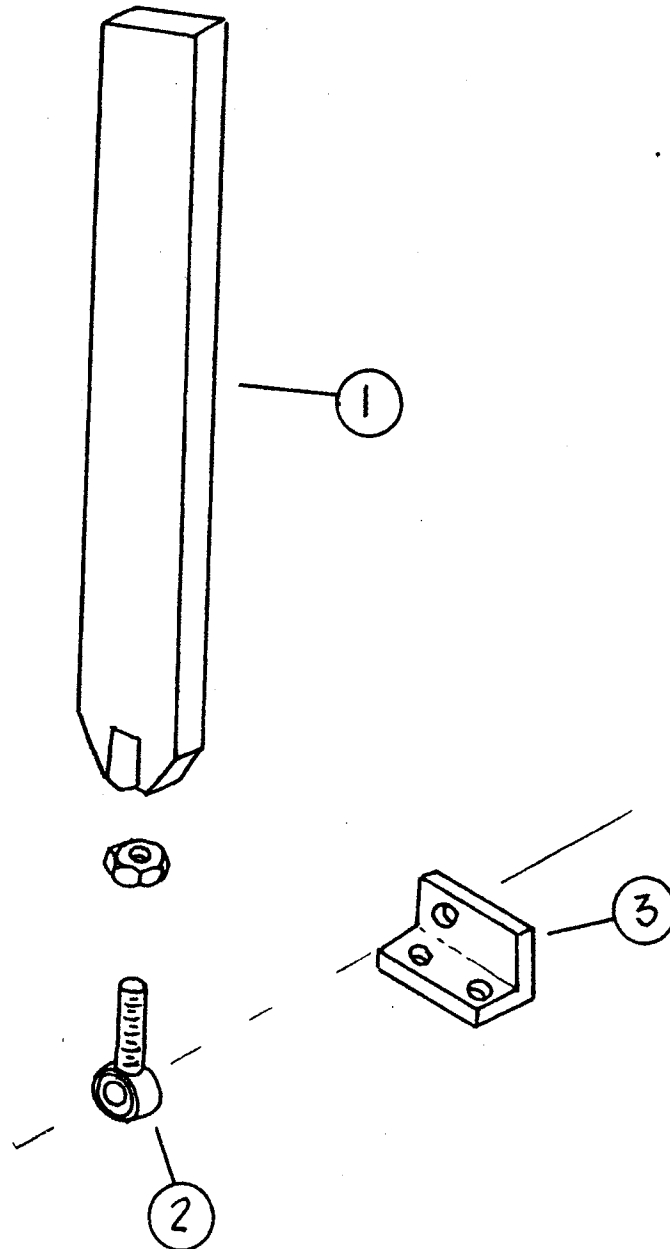


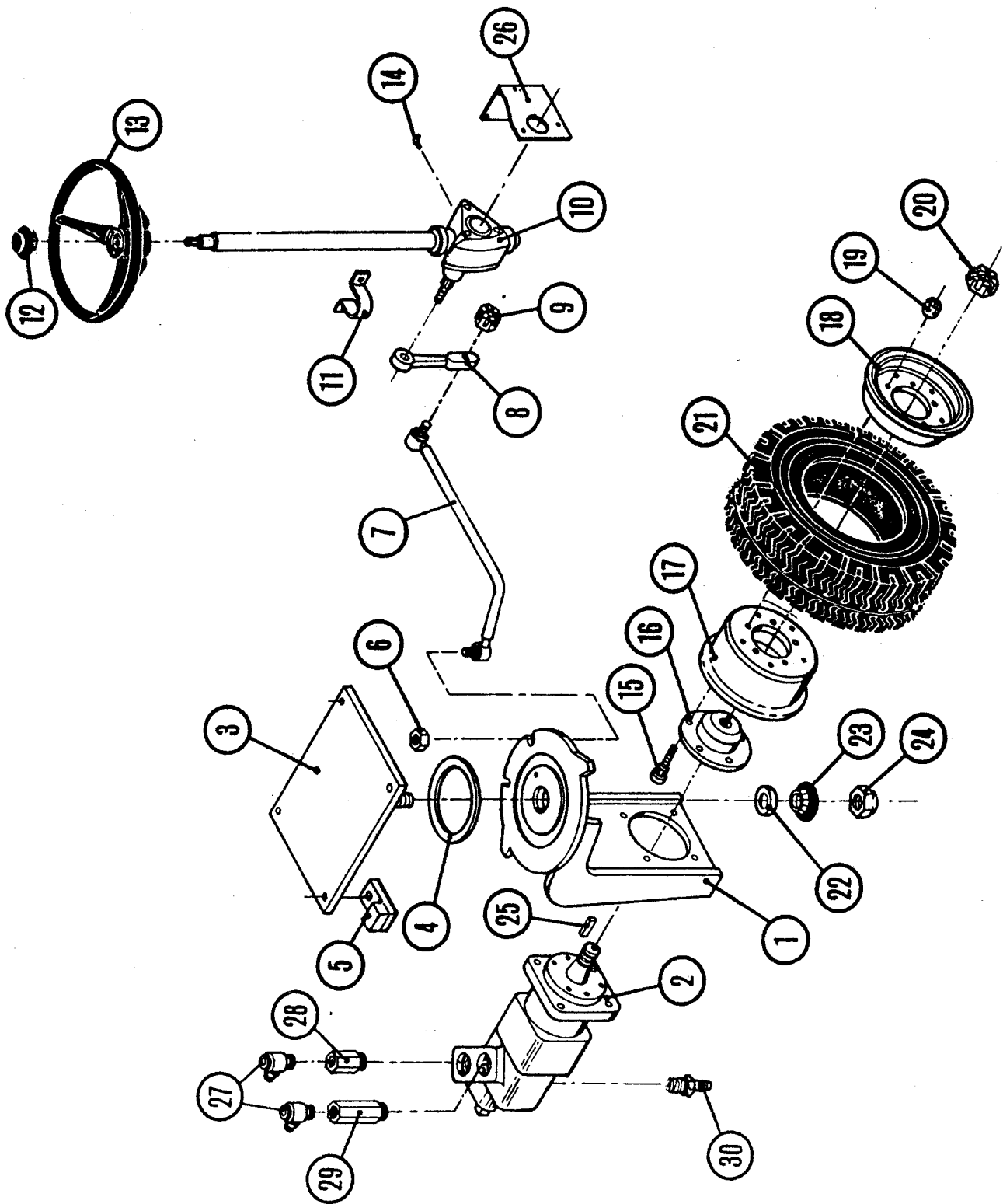


HIGH DUMP ARM ASSEMBLY

ITEM NUMBER	PART NUMBER	DESCRIPTION
1	300822	Assembly - Arm
2	300829	Lift Arm - Secondary
3	300809	Assembly - Arm Rotating Cylinder Mount
4	300697	Assembly - Rotation Mount - RH
5	300711	Assembly - Rotation Mount - LH
6	300713	Assembly - Arm Rotation Plate
7	304092	Cylinder - Hydraulic Lift
8	300229	Rod End - Scrub Cylinder
9	300552	Bushing - 1 ID x 1.24 OD x 1.50
10	302013	Pin Upper Cylinder Mount
11	301075	Assembly - Dump Arm Mount
12	400012	Fitting - Grease 3/16
13	400177	Thrust Bearing
14	300836	Bearing - 2.8 OD x 2.00 ID x .75
15	300879	Washer - HD 3.25 OD x 1.00 ID
16	301709	Ring - Retainer Exterior Extension
17	300840	Bearing - 2.18 OD x 2.00 ID x 1.50
18	301996	Pin - Rotating Cylinder Outer
19	304093	Cylinder - Hydraulic Rotation
20	400076	Nut Hex Jam Slotted
21	304182	Wiring Harness HD
22	303170	Bracket - Hydraulic Hose
23	301711	Clip - Hydraulic Hose HD
24	301420	Spacer Dump Arm
25	301712	Assembly - Retainer HD
26	300837	Bearing
27	301998	Ring Retaining
28	303171	Bar - Hydraulic Hose
29	301997	Pin - Rotation Cylinder
30	304115	Plate - Backing Hopper
31	304074	Bushing - Hopper Mount

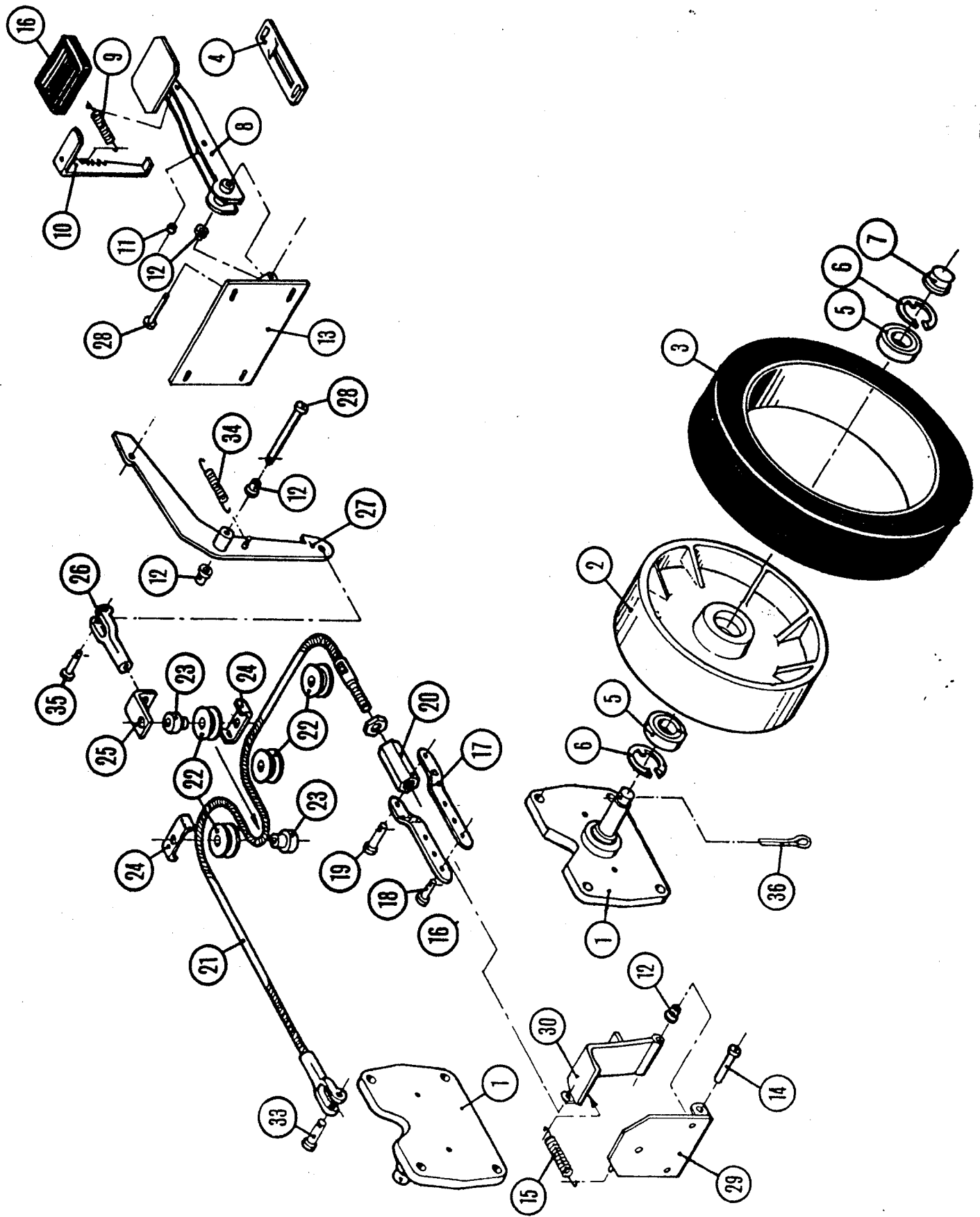
SAFETY ARM





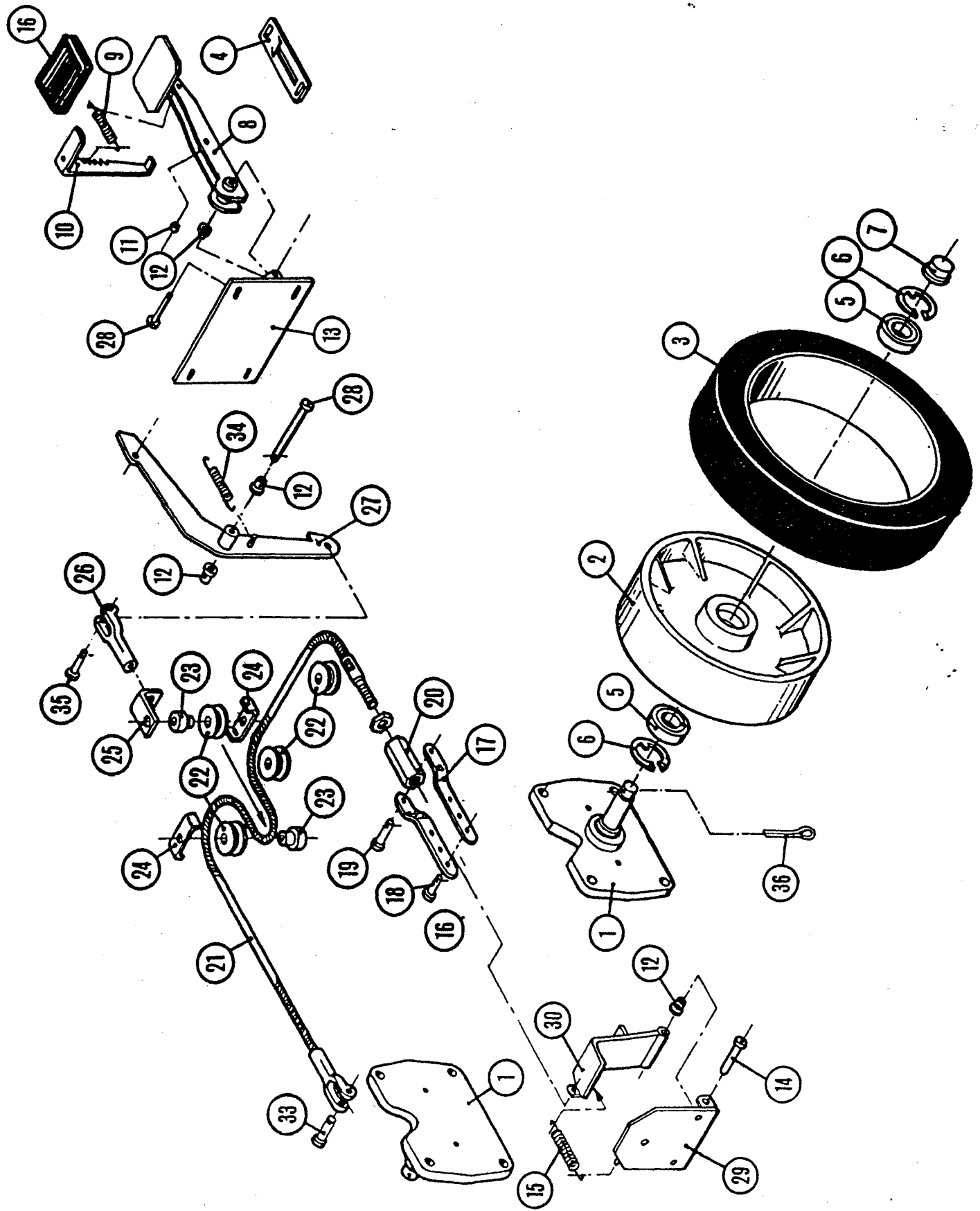
STEERING

ITEM NUMBER	PART NUMBER	DESCRIPTION
1	300296	Assembly - Steering Fork
2	301534	Motor - Hydraulic 2000 Series
3	300153	Assembly - Fork Pivot
4	300472	Bearing Thrust
5	302156	Assembly - Steering Stop
6	400188	Nut - Hex Jam Half 1/2 - 20
7	301013	Assembly - Steering Link
8	300215	Arm - Steering
9	400223	Nut - Hex Slotted 1/2 - 20 SP
10	300374	Assembly - Steering Gear
11	300228	Bracket Steering
12	300373	Cap - Steering Wheel
13	300372	Wheel - Steering
14	400205	Fitting - Grease 65 el 1/4 NPT
15	300415	Stud - Wheel Hub
16	301018	Hub - Rear Wheel
17	300211	Rim - Inner
18	300408	Rim - Outer
19	300411	Nut - Wheel Lug
20	400223	Nut - Hex Slotted 1 1/4 - 18 x .62
21	301525	Assembly - Tire (Solid)
22	300470	Bearing - Tapered Roller Cup
23	300471	Bearing - Tapered Roller Cone
24	400083	Jam Nut - Lock Half Height 1 1/4 - 12
25	303138	Key Hydraulic Motor - 2000 Series
26	303197	Bracket - Steering Mount
27	400169	Fitting - Swivel
28	400166	Fitting - Wheel Motor
29	302349	Fitting - Wheel Motor
30	400212	Fitting - Adaptor



AXLE, BRAKES AND WHEEL

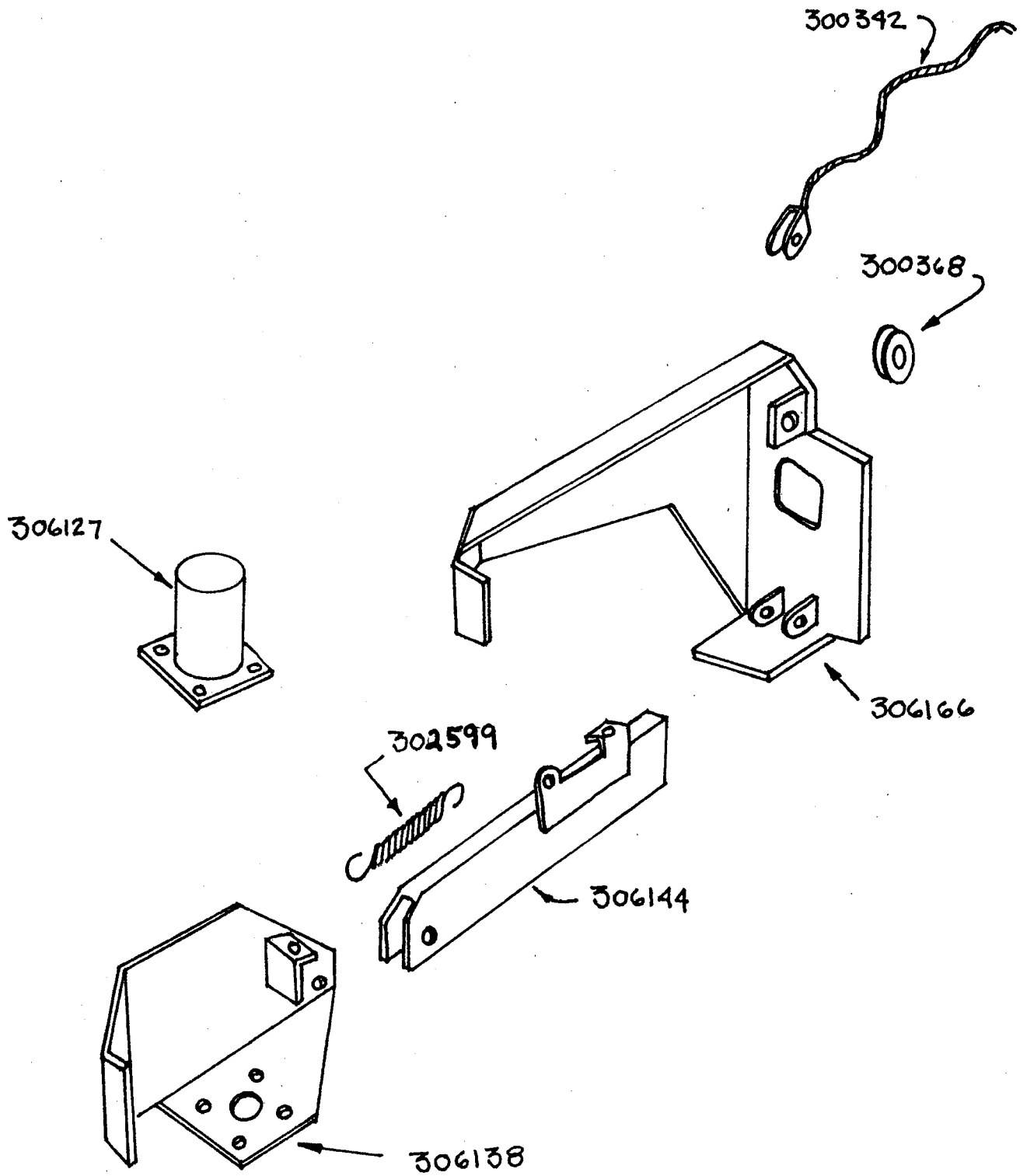
ITEM NUMBER	PART NUMBER	DESCRIPTION
1	304149	Assembly - Front Axle
2	304001	Rim - Front
3	304035	Tire - Press On
4	303724	Bracket - Brake Lock
5	300467	Bearing - Ball 2.44 x 1.18 ID
6	300473	Ring - Retainer Internal
7	300369	Cap - Rim
8	303716	Assembly - Brake Pedal
9	304164	Spring - Extension 1.75 Lg
10	303718	Assembly - Brake Catch
11	303723	Roller - Brake Arm
12	300414	Bushing - Plastic
13	303720	Assembly - Brake Mount
14	400345	Pin - Clevis 3/8 x 3.25
15	304167	Spring - Extension 2.25 Lg
16	300413	Pad - Brake Pedal
17	300203	Bar - Cable
18	400118	Pin - Clevis 5/16 x .88
19	400185	Pin - Clevis 5/16 x 1.25
20	300202	Bar - Cable Adjustment
21	304033	Cable - Brake
22	300367	Pulley - Brake



AXLE, BRAKES AND WHEEL (cont.)

ITEM NUMBER	PART NUMBER	DESCRIPTION
23	300035	Spacer - Brake Pulley
24	300209	Retainer - Cable
25	300955	Bracket - Brake Pulley
26	300462	Clevis - Cablecraft AC-218
27	300132	Assembly - Brake Arm
28	400115	Pin - Clevis 3/8 x 3.00
29	304135	Assembly - Brake Mount Left
30	304138	Assembly - Brake Arm Left
31	304134	Assembly - Brake Mount Right (Not Shown)
32	304137	Assembly - Brake Arm Right (Not Shown)
33	400118	Pin - Clevis 5/16 x .88
34	301522	Spring Extension Brake Arm
35	400116	Pin - Clevis 3/8 x 1.25
36	400120	Pin - Cotter 5/32 x 2.0

Curb Broom



Unit Meas:EA

Item Type:M

Lead Time: 60

Matl Cost: Restricted

Buy/Plan:PW

Reoder Pt: 0

Unit Cost: Restricted

+Bom Level	Item Number	Item Description	UM PR	Use Qty	B	Ext
*	3300875	WELD-DR HUB SC BR PNTD	EA NN	1.000000	N	-
*	3302599	SPRING-EXT LOOPS-IN-LINE	EA NN	1.000000	N	1
*	3303495	DECAL-QUALITY CHECK	EA NN	1.000000	N	1
*	3306127	MOTOR-HYD CURB BROOM SW7	EA NN	1.000000	N	1
*	3306138	ASSY-CURB BRM MNT SW70 P	EA NN	1.000000	N	1
*	3306144	ASSY-CURB BRM ARM SW70 P	EA NN	1.000000	N	1
*	3306179	SPRING-CURB BROOM SW71	EA NN	1.000000	N	1
*	3400007	SCR-CAR,3/8-16X1.25 ZP	EA NN	2.000000	Y	2
*	3400021	SCR-HEX,1/2-13X1.75 ZP	EA NN	1.000000	Y	1
*	3400022	SCR-HEX,1/2-13X1.25 ZP	EA NN	2.000000	Y	2
*	3400032	SCR-HEX,3/8-16X0.75 ZP	EA NN	4.000000	Y	4
*	3400035	SCR-HEX,5/16-18X1.00 ZP	EA NN	4.000000	Y	4
*	3400049	SCR-SOC,1/4-20X0.75 ZP N	EA NN	1.000000	Y	1
*	3400065	NUT-HEX 1/2-13 ZP	EA NN	2.000000	Y	2
*	3400070	NUT-HEX 5/16-18 ZP	EA NN	4.000000	Y	4

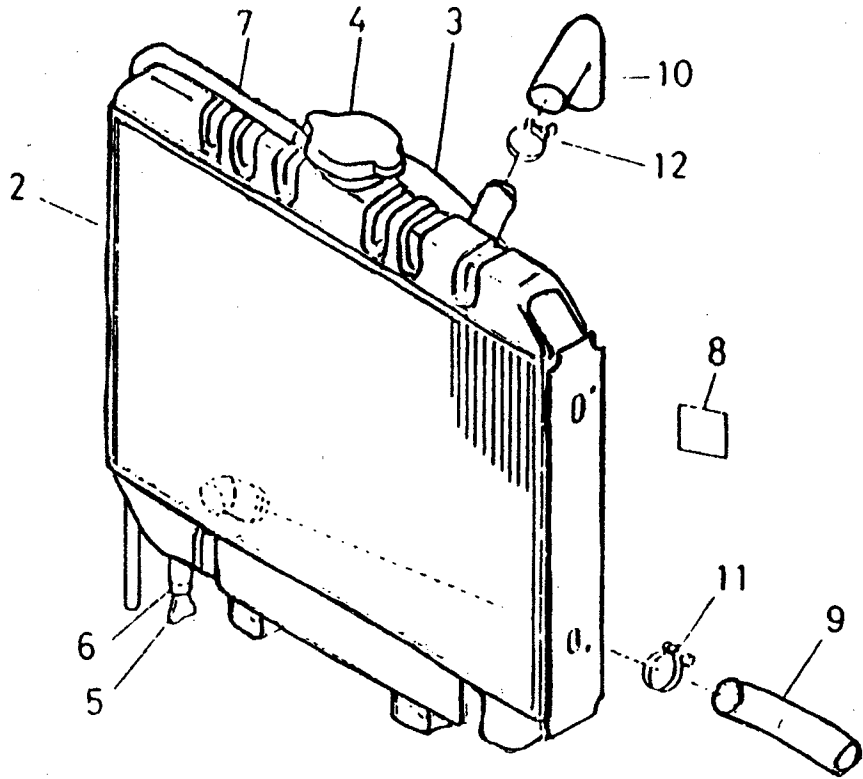
Pg: 1 Of: 2 #: 1 Of: 23

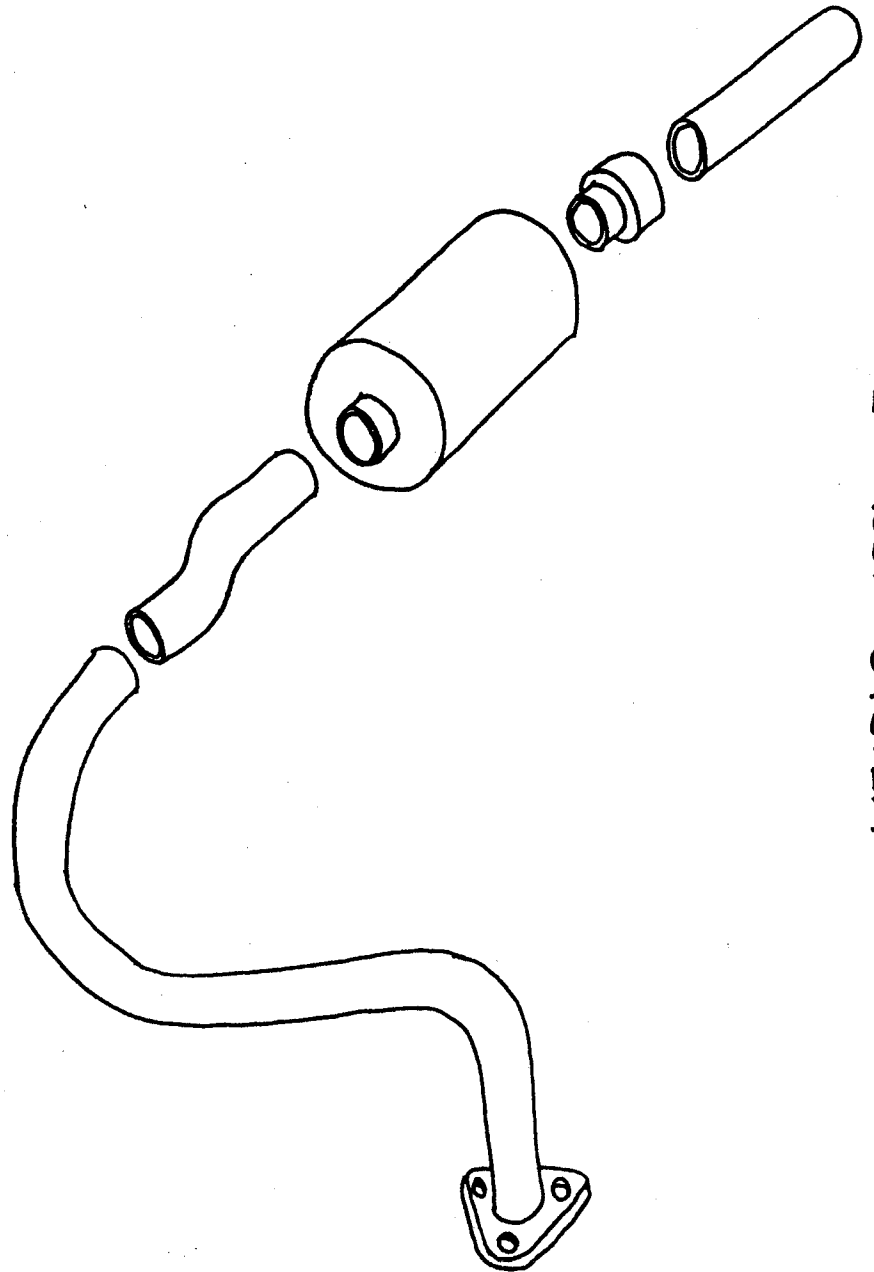
 |Single Level|Indent Level|Phant Bill|Rel Comp Bill|Full Bill|Were Used|s91

Item Number	Item Description	UM	PR	Use Qty
300875	WELD-DR HUB SC BR PNTD	EA	NN	1.000000
302599	SPRING-EXT LOOPS-IN-LINE	EA	NN	1.000000
303495	DECAL-QUALITY CHECK	EA	NN	1.000000
306127	MOTOR-HYD CURB BROOM SW7	EA	NN	1.000000
306138	ASSY-CURB BRM MNT SW70 P	EA	NN	1.000000
306144	ASSY-CURB BRM ARM SW70 P	EA	NN	1.000000
306179	SPRING-CURB BROOM SW71	EA	NN	1.000000
400007	SCR-CAR, 3/8-16X1.25 ZP	EA	NN	2.000000
400021	SCR-HEX, 1/2-13X1.75 ZP	EA	NN	1.000000
400022	SCR-HEX, 1/2-13X1.25 ZP	EA	NN	2.000000
400032	SCR-HEX, 3/8-16X0.75 ZP	EA	NN	4.000000
400035	SCR-HEX, 5/16-18X1.00 ZP	EA	NN	4.000000
400049	SCR-SOC, 1/4-20X0.75 ZP N	EA	NN	1.000000
400065	NUT-HEX 1/2-13 ZP	EA	NN	2.000000
400070	NUT-HEX 5/16-18 ZP	EA	NN	4.000000
300202	BAR-CABLE ADJ MACH & PLT	EA	NN	1.000000
300203	BAR-CABLE PLTD	EA	NN	2.000000
300342	CABLE-CURB BROOM	EA	NN	1.000000
300368	PULLEY-PLASTIC	EA	NN	2.000000
300414	BUSHING-PLASTIC MN BRM	EA	NN	2.000000
301085	SPACER-FRONT BUMPER PLTD	EA	NN	4.000000
306015	ASSY-CURB BRM SUB SW 71	EA	NN	1.000000
306166	WELDMENT-HOPPER GUARD RH	EA	NN	1.000000
400029	SCR-HEX, 3/8-16X1.25 ZP	EA	NN	4.000000
400034	SCR-HEX, 5/16-18X1.25 ZP	EA	NN	1.000000
400051	SCR-HSS 5/16 DIA X .50 Z	EA	NN	2.000000
400068	NUT-HEX 3/8-16 ZP	EA	NN	3.000000
400069	NUT-HEX 5/16-24 ZP	EA	NN	1.000000
400070	NUT-HEX 5/16-18 ZP	EA	NN	1.000000
400071	NUT-HEX 1/4-20 ZP	EA	NN	2.000000
400078	NUT-HEX 1/2-13 ES ZP	EA	NN	2.000000
400079	NUT-HEX 3/8-16 ES ZP	EA	NN	2.000000
400086	WASHER-FLAT 1/2 STANDARD	EA	NN	2.000000
400087	WASHER-FLAT 3/8 STANDARD	EA	NN	2.000000
400088	WASHER-FLAT 5/16 STANDAR	EA	NN	2.000000
400101	WASHER-LOCK 3/8 SPLIT ZP	EA	NN	4.000000
400102	WASHER-LOCK 5/16 SPLIT Z	EA	NN	4.000000
400154	FTG-90 3/4-16 TO #8	EA	NN	2.000000

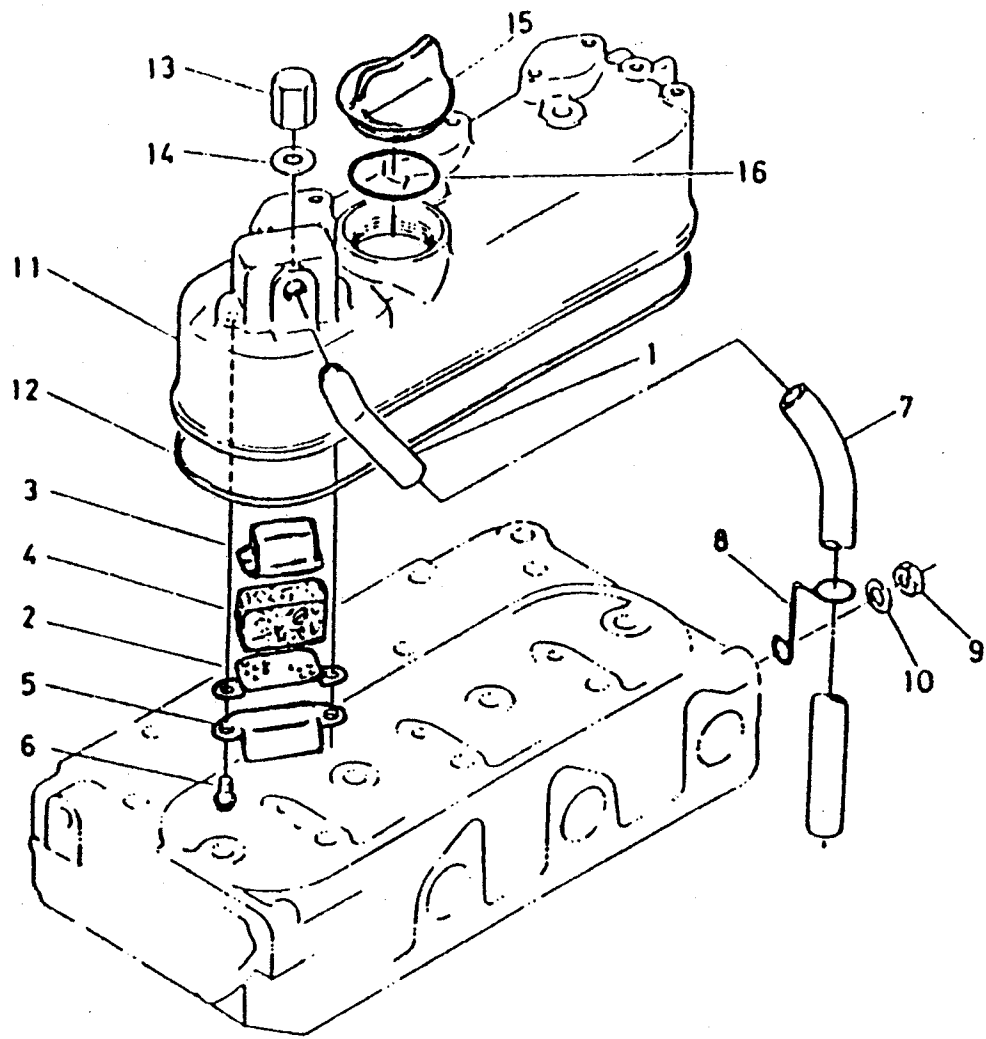
- 2
- 3
- 7

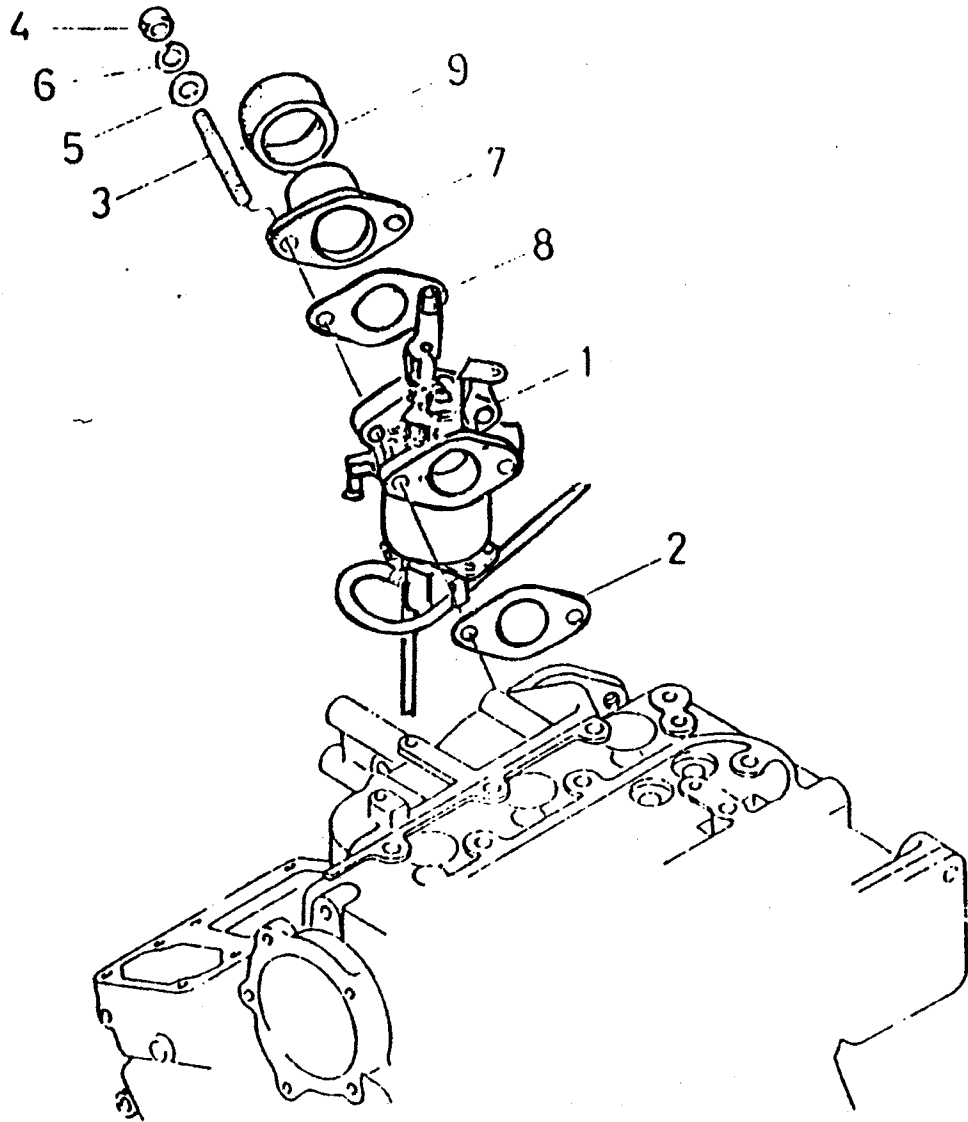
- 17
- 15
- 13
- 15
- 14
- 16

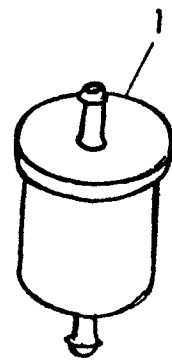
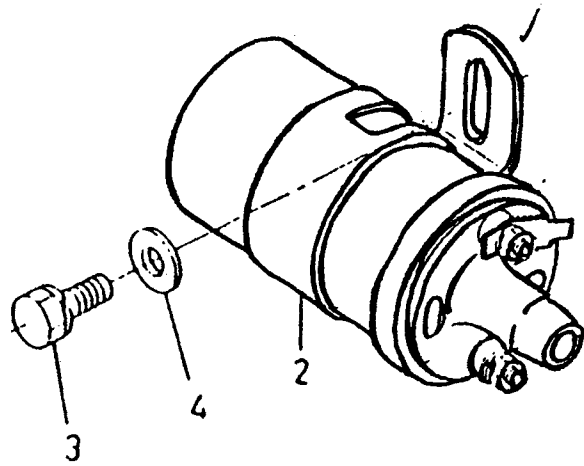


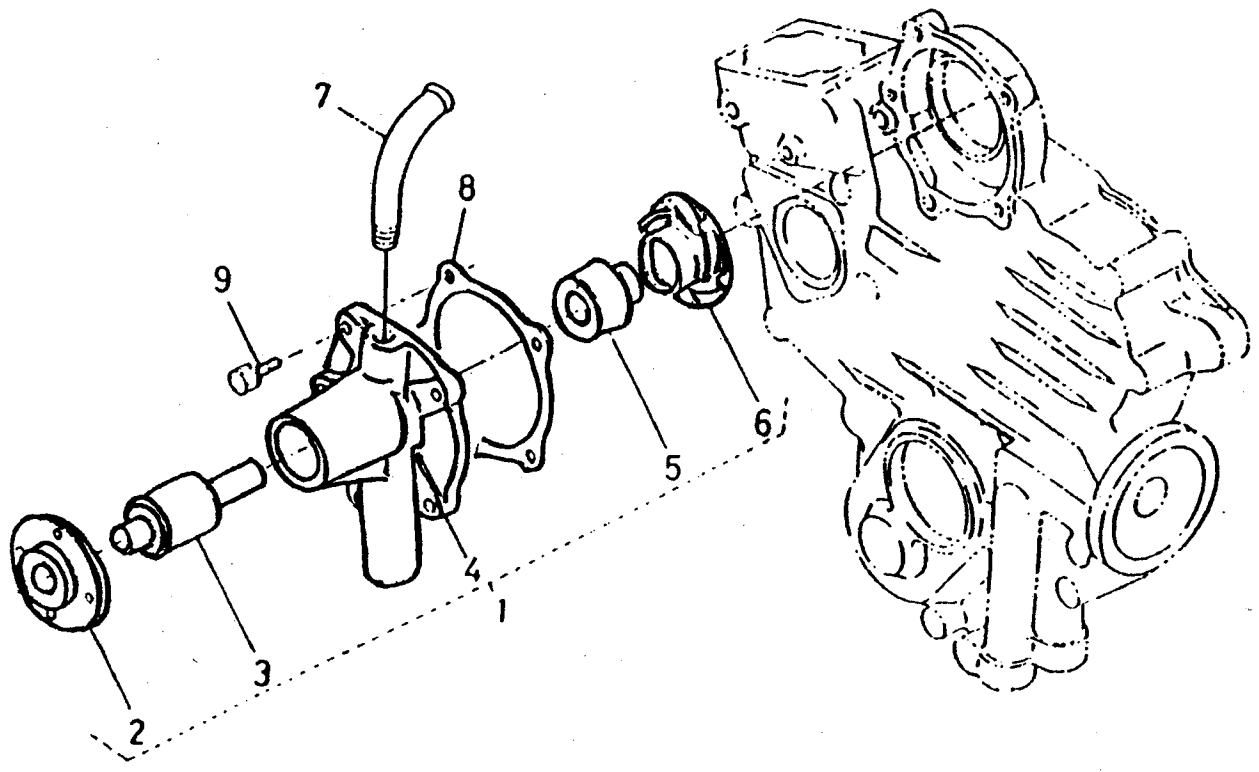


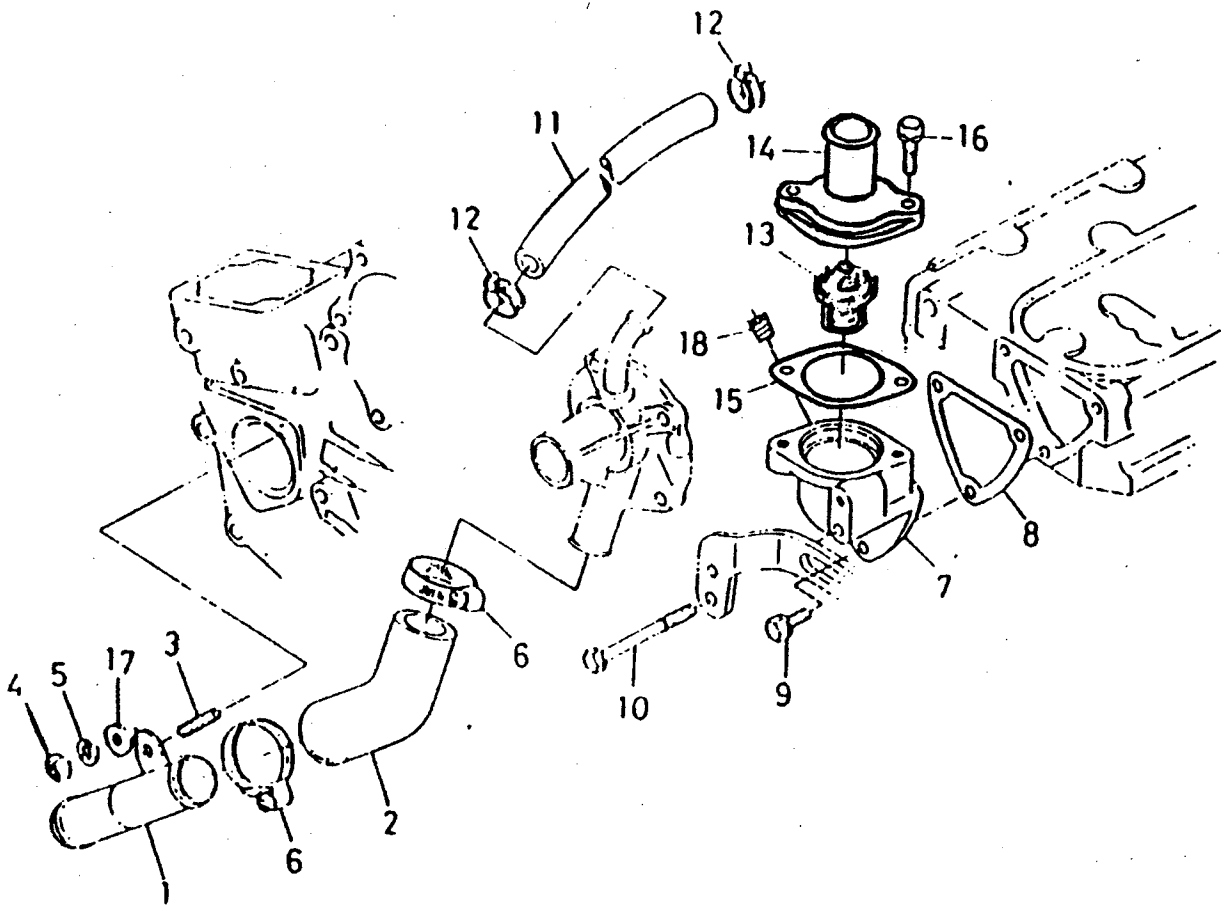
EXHAUST SYSTEM

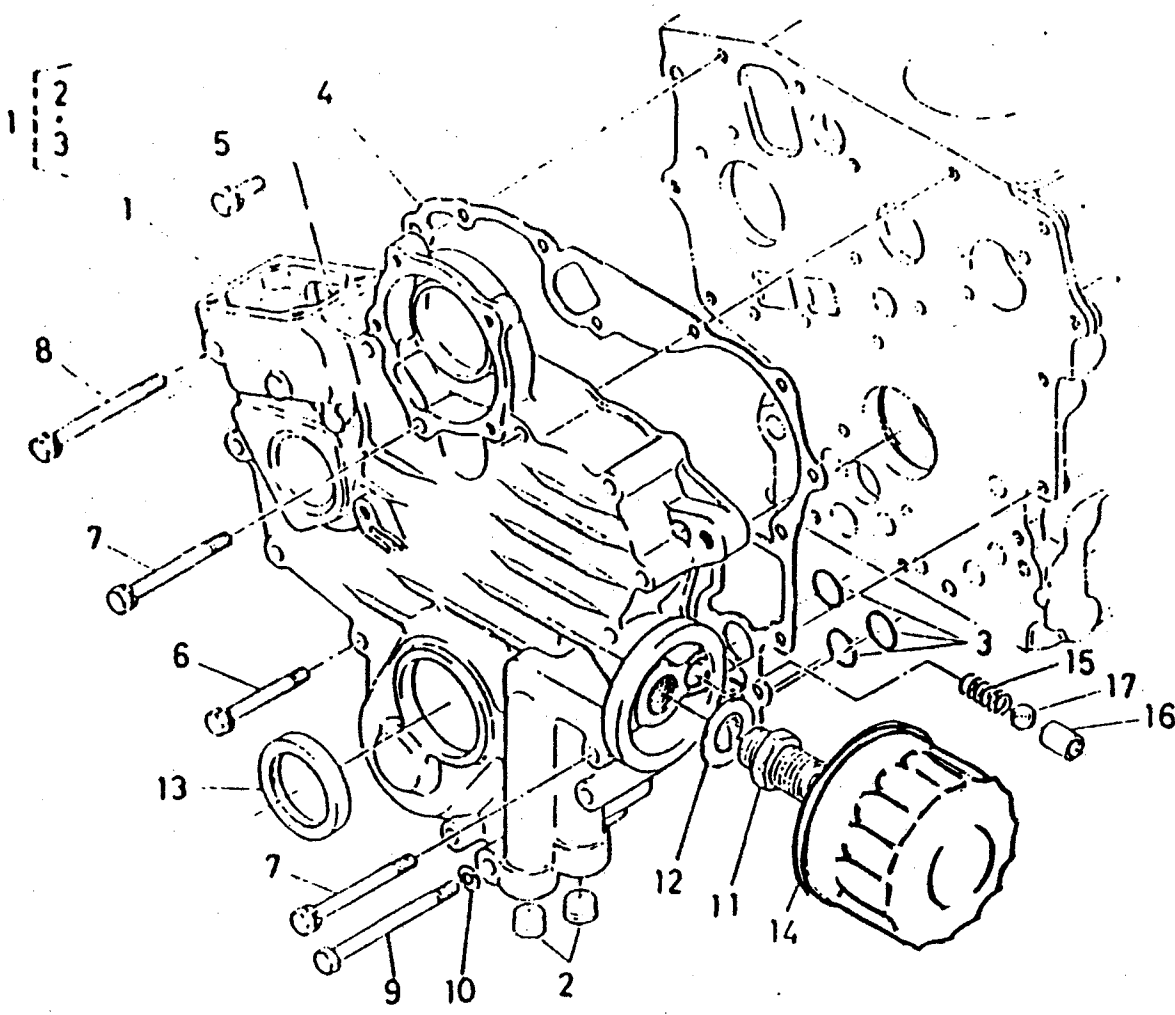


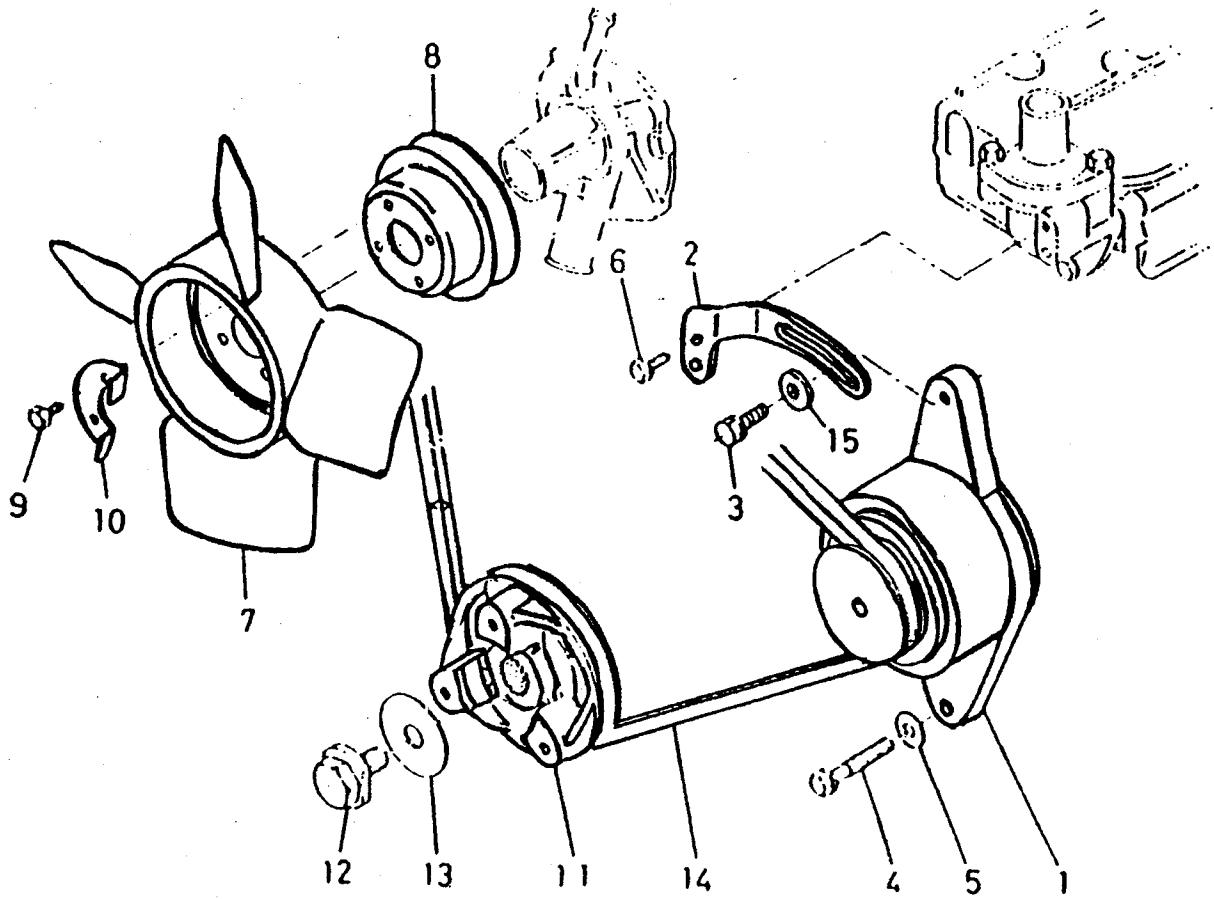


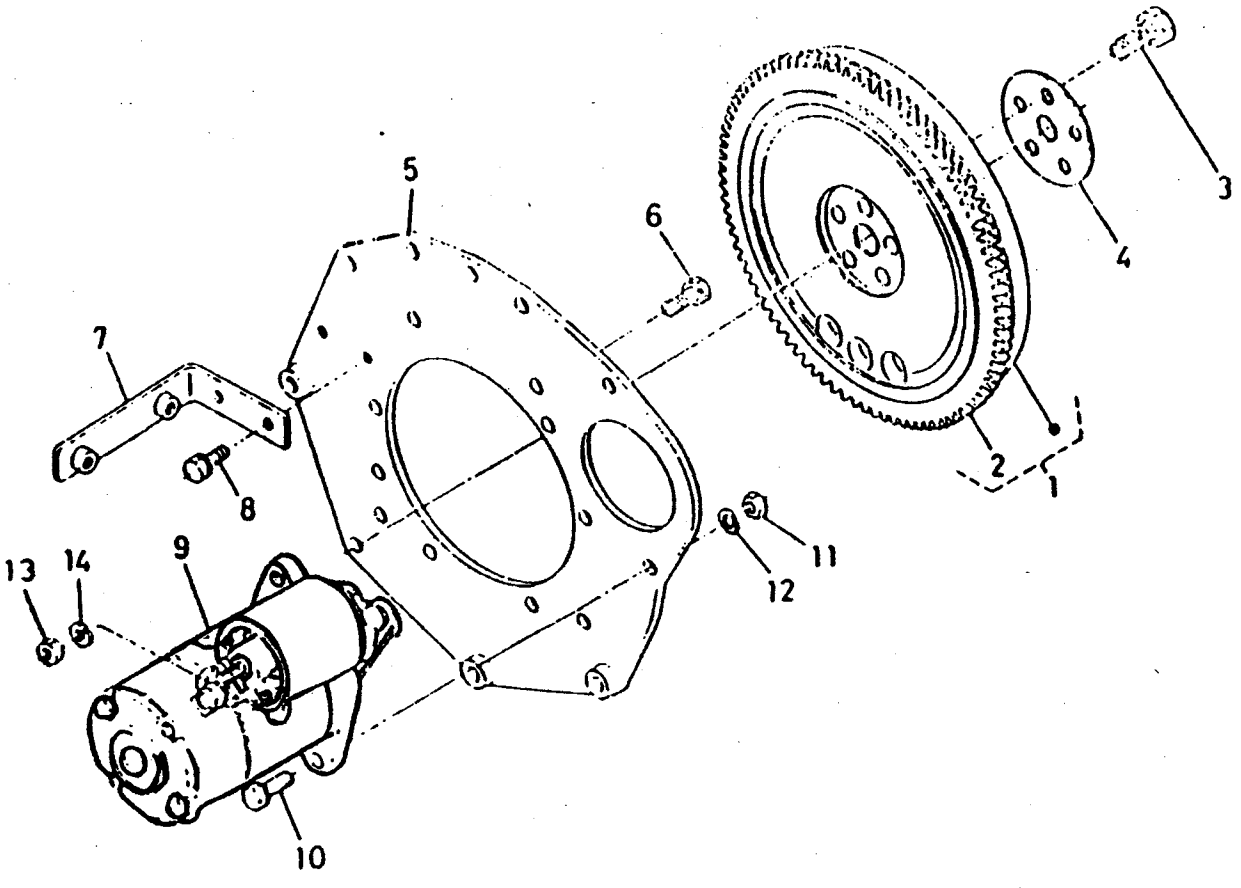












AIR CLEANER

